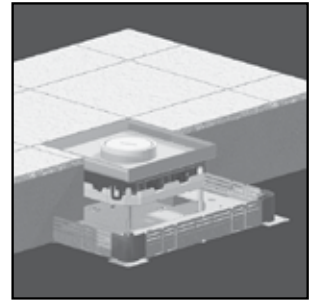
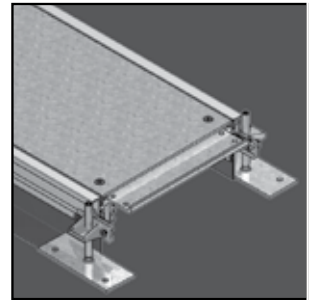


FLOOR INSTALLATIONS

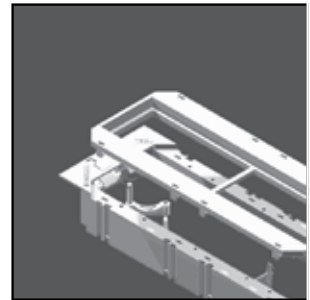
Uniform floor system



Flush floor trunking system



Accessories



FLOOR INSTALLATIONS

UNIFORM FLOOR SYSTEM

VGI		
VGI28	Floor trunking with integrated ends	6-307
VGI38	Floor trunking with integrated ends	6-307
VGI48	Floor trunking with integrated ends	6-308
VGLI		
VGLI28	Floor trunking light integrated ends	6-308
VGLI38	Floor trunking light integrated ends	6-309
VGLI48	Floor trunking light integrated ends	6-310
UNIFORM FLOOR SYSTEM		
VSF	Rising / low elbow for floor trunking	6-310
VK	Joining piece for floor trunking	6-311
VE	End piece for floor trunking	6-311
NEO	Universal floorbox	6-312
VEVV	Form element	6-313
VERV	Form element round	6-313
VEVP	Form element polished concrete	6-314
VERP	Form element round polished concrete	6-314
BDVKK2	Blind cover rectangular, universal	6-315
BDVKK3	Blind cover square, universal	6-316
BDRKK3	Blind cover round, universal	6-317
KDVKK2	Hinged cover rectangular, universal	6-318
KDVKK3	Hinged cover square, universal	6-319
KDRKK3	Hinged cover round, universal	6-320
KDVIRK2	Hinged cover rectangular, with border	6-321
KDVIRK3	Hinged cover square, with border	6-322
KDVIT2	Hinged cover rectangular, Stainl. steel	6-323
KDVIT3	Hinged cover square, stainless steel	6-324
KDVITV3	Hinged cover square flat stainless steel	6-325
BDVITWD2	Blind cover rectangular, water resistant	6-326
BDVITWD3	Blind cover square, water resistant	6-326
BDRITWD3	Blind cover round, water resistant	6-327
KDVITWD3	Hinged cover square, water resistant	6-328
DVITWD3	Tile-cassette square, water resistant	6-329
DRITWD3	Cover round, watertight cable outlet	6-330
KUWDT	Tube for water resistant cable exit	6-330
TECHNICAL INFORMATION		6-331

FLUSH FLOOR TRUNKING SYSTEM

OVG		
OVG	Open flush floor trunking	6-336
OVG COVER		
DOVG	Cover for flush floor trunking	6-336
DOGV.2	Cover for flush floor trunking	6-337
DOGV.3	Cover for flush floor trunking	6-337
DOVGR.3	Cover for flush floor trunking	6-338
OVG ACCESSORIES		
OVGB	Bend for flush floor trunking	6-338
OVGT	T-piece for flush floor trunking	6-339
OVGK	Cross piece for flush floor trunking	6-339
OVGE	End part for flush floor trunking	6-340
OVGZ	Universal side for flush floor trunking	6-340
OVGP	Extrusion profile flush floor trunking	6-340
OVGTR	Crossbar for flush floor trunking	6-341
OVGVST	Bottom for flush floor trunking	6-341
OVGAN	Screed anchor for flush floor trunking	6-341
OVGTAP	Carpet border for flush floor trunking	6-342
OVGHV	Connection angle for flush trunking	6-342
OVGEQ	Earth conductor clamp for flush trunking	6-342
OVGEQH	Earth conductor clamp for flush trunking	6-343
SLOS	Division plate free	6-343
KDVKK2	Hinged cover rectangular, universal	6-344

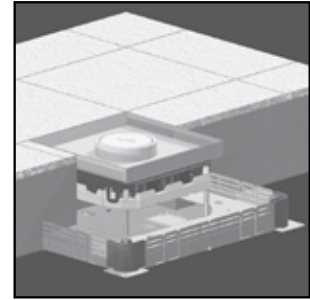
KDVKK3	Hinged cover square, universal	6-345
KDRKK3	Hinged cover round, universal	6-346
KDVIRK2	Hinged cover rectangular, with border	6-347
KDVIRK3	Hinged cover square, with border	6-348
	TECHNICAL INFORMATION	6-349

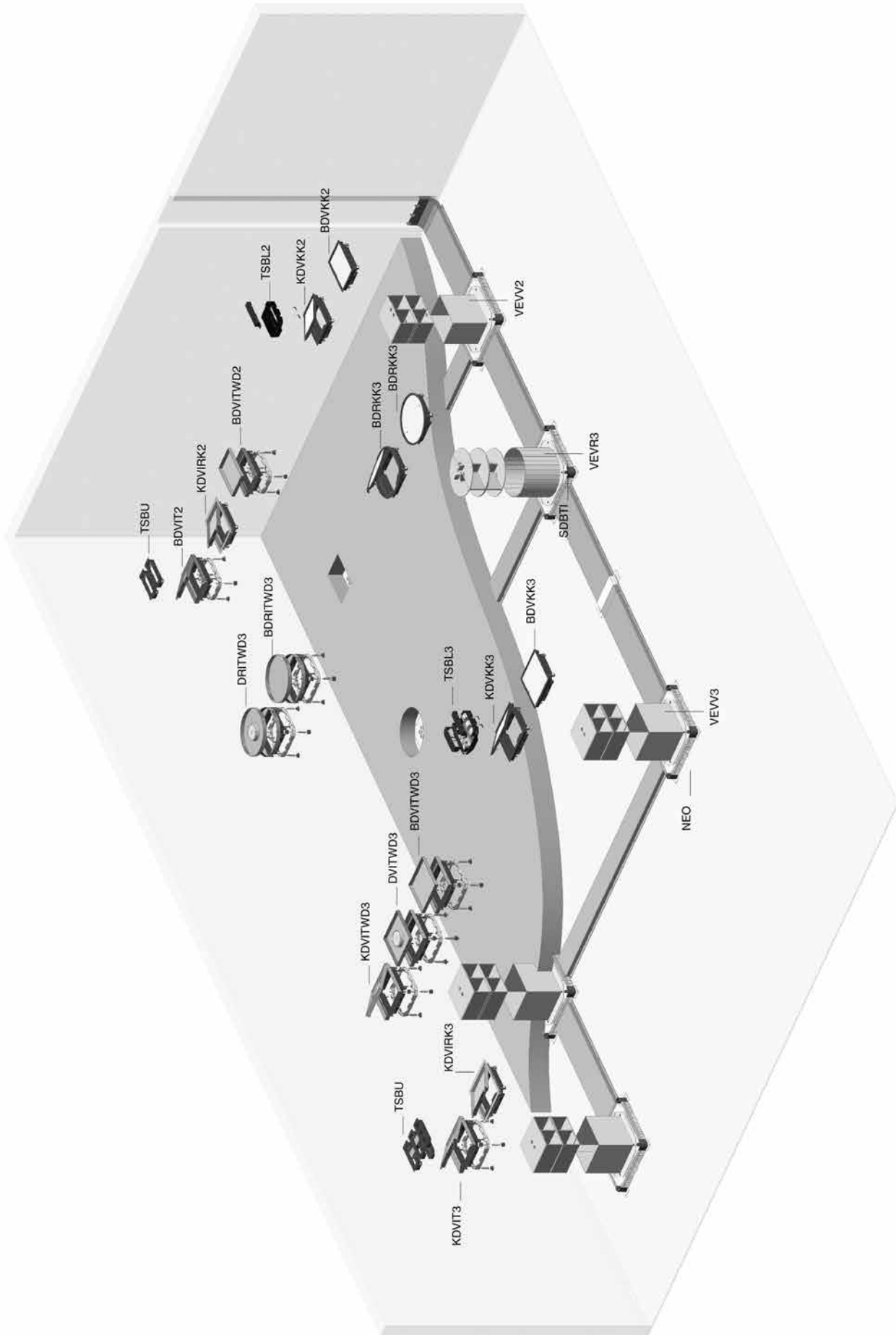
ACCESSORIES

ACCESSORIES		
NEOT	Supporting Alu-frame	6-360
NEOAVT	Anchor base NEO	6-360
AM	Extension Nut	6-361
OHE	Packer floorcover	6-361
KDVIZ	Kit for heavy load	6-362
BDVIZ	Kit for heavy load	6-362
TSBU	Apparatus cup universal	6-363
TSBU45	Apparatus cup 45	6-363
TSBU50	Apparatus cup 50	6-364
TSBUD	Apparatus cup angular	6-364
ADPU	Coverplate for TSBU	6-365
ADPUB	Baseplate for TSBU	6-365
ADSU	Cap	6-366
SSBU	Divider plate TSBU	6-366
IDP	Fixing plate ADPUD	6-367
GBP	Blind plate	6-368
TSBL	Low profile apparatus box	6-368
MK	Silicon box	6-369
OV	Degreaser	6-369
	TECHNICAL INFORMATION	6-371

FLOOR INSTALLATIONS

Uniform floor system



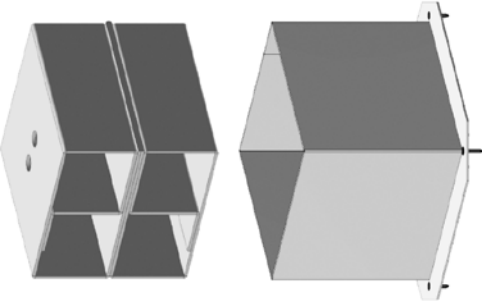
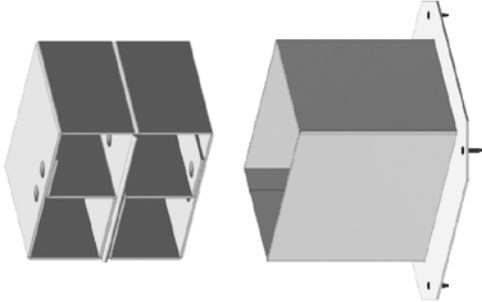
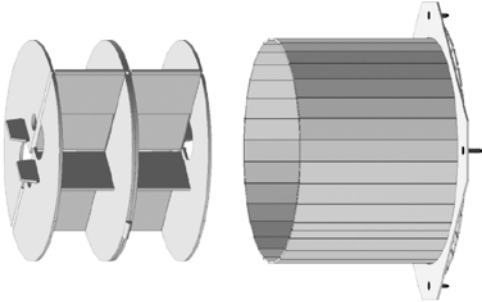

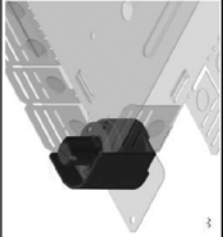
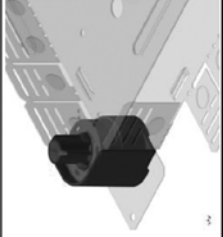


SELECTION TABLE FOR FLOOR INSTALLATIONS

1. CONCRETE FLOOR SYSTEMS

Description	Floor trunking = Height 28 mm			Floor trunking = Height 38 mm			Floor trunking = Height 48 mm		
	2 / 3 compartments								
	Width	2	3	2	3	2	3	2	3
Floor trunking with integrated ends	170	VGI28.170S1	VGI28.170S2	VGI38.170S1	VGI38.170S2	VGI48.170S1	VGI48.170S2	VGI48.170S1	VGI48.170S2
	250	VGI28.250S1	VGI28.250S2	VGI38.250S1	VGI38.250S2	VGI48.250S1	VGI48.250S2	VGI48.250S1	VGI48.250S2
	350	VGI28.350S1	VGI28.350S2	VGI38.350S1	VGI38.350S2	VGI48.350S1	VGI48.350S2	VGI48.350S1	VGI48.350S2
Light duty floor trunking with integrated ends	170	VGLI28.170S1	VGLI28.170S2	VGLI38.170S1	VGLI38.170S2	VGLI48.170S1	VGLI48.170S2	VGLI48.170S1	VGLI48.170S2
	250	VGLI28.250S1	VGLI28.250S2	VGLI38.250S1	VGLI38.250S2	VGLI48.250S1	VGLI48.250S2	VGLI48.250S1	VGLI48.250S2
	350	VGLI28.350S1	VGLI28.350S2	VGLI38.350S1	VGLI38.350S2	VGLI48.350S1	VGLI48.350S2	VGLI48.350S1	VGLI48.350S2
Accessories Rising bend	Width	2	3	2	3	2	3	2	3
	170	VS28.170S1	VS28.170S2	VS38.170S1	VS38.170S2	VS48.170S1	VS48.170S2	VS48.170S1	VS48.170S2
	250	VS28.250S1	VS28.250S2	VS38.250S1	VS38.250S2	VS48.250S1	VS48.250S2	VS48.250S1	VS48.250S2
End piece	170	VE28.170	VE28.170	VE38.170	VE38.170	VE48.170	VE48.170	VE48.170	VE48.170
	250	VE28.250	VE28.250	VE38.250	VE38.250	VE48.250	VE48.250	VE48.250	VE48.250
	350	VE28.350	VE28.350	VE38.350	VE38.350	VE48.350	VE48.350	VE48.350	VE48.350

2. UNIVERSAL FLOORBOX FOR CONCRETE FLOOR SYSTEMS

Description	Square with VEVV3	Rectangular with VEVV2	Round with VERV3
<p>Choices of screed form element</p>			
<p>Universal floorbox NEO</p>			
<p>Height adjustable - can easily be adjusted to suit the trunking or conduit being used</p>	<p>28 mm</p>	<p>38 mm</p>	<p>48 mm</p>
<p>Screed depth</p>	<p>65 mm to 278 mm</p>	<p>75 mm to 288 mm</p>	<p>85 mm to 298 mm</p>

3. CONCRETE FLOOR SYSTEMS - FLOOR FINISH WITH CORRESPONDING HINGED COVERS

Floor finish	Material	Application	To standard	Depth of cover cut-out	Description	Code	Accessories	Compartments
NEO + VEV3	Resin Vinyl Epoxy	Outlet	IP 20 / (IP 30)*	up to 12 mm	Hinged cover - square	KDVKK3	adjust the depth of floor covering with OHEV3.2 - OHEV3.5	max. 3 TSBU / 1 TSBL3
		Blind	IP 30		Blind cover - square	BDVKK3		
	Tile Wooden laminated Polished concrete Resin	Outlet	IP 20 / (IP 30)*	up to 26 mm	Hinged cover - square	KDVT3 / KDVT3	KUWDT Tube	max. 3 TSBU / 1 TSBL3
		Blind	IP 53		Blind cover for tiled floor	BDVTWD3		
		Outlet	IP 23 / (IP 53)*		Hinged cover - square water resistant	KDVTWD3		
					Tile-cassette - square - water resistant	DVTWD3		
NEO + VEV2	Carpet Vinyl Resin	Outlet	IP 20 / (IP 30)*	up to 12 mm	Hinged cover - rectangular	KDVKK2	adjust the depth of floor covering with OHEV2.2 - OHEV2.5	max. 2 TSBU / 1 TSBL2
		Blind	IP 30		Blind cover - rectangular	BDVKK2		
	Tile Wooden laminated Polished concrete Resin	Outlet	IP 20 / (IP 30)*	up to 26 mm	Hinged cover - rectangular	KDVT2	adjust the depth of floor covering with OHER3.2 - OHER3.5	max. 3 TSBU / 1 TSBL3
		Outlet	IP 53		Blind cover for tiled floor	BDVTWD2		
		Outlet	IP 20 / (IP 30)*		Hinged cover - round	KDRKK3		
		Blind	IP 30		Blind cover - round	BDRKK3		
NEO + VER3	Carpet Vinyl Resin	Outlet	IP 20 / (IP 30)*	up to 12 mm	Blind cover for tiled floor	BDRITWD3	KUWDT Tube	max. 3 TSBU / 1 TSBL3
		Outlet	IP 53		Hinged cover - round water resistant	DRITWD3		
	Tile Wooden laminated Polished concrete Resin	Outlet	IP 23 / (IP 53)*	up to 26 mm				

4. RAISED AND HOLLOW FLOOR SYSTEMS

Cable baskets

To be used beneath the raised floor.

Description	Code	Height	Width	Accessories	
Cable basket	VFUL	35 - 60	50 - 65 - 100 - 150 - 200 - 250 - 300 - 350	VFVLB - Floor bracket VMB - Floor and wall bracket VFK - Joining clamp	

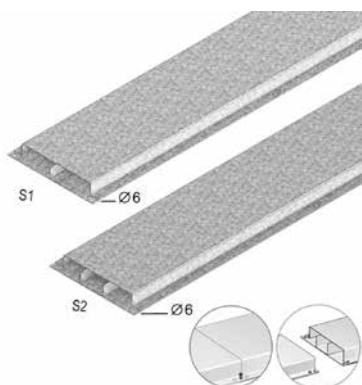
Hinged covers

To be used for floor panels with a material depth up to 60 mm.

Covering floor	Type	Application	Depth of cover cut-out	Description	Code	Cut-aways in floor panel	Compartments	Clamp range
Carpet Vinyl	Polypropylene RAL 7011 RAL 9011	Equipped	up to 12 mm	Hinged cover - square	KDVKK3	270 x 270 mm	max. 3 TSBU / 1 TSBL3	3 - 60 mm
				Hinged cover - rectangular	KDVKK2	270 x 195 mm	max. 2 TSBU / 1 TSBL2	
				Hinged cover - round	KDRKK3	Ø diameter 330 mm	max. 3 TSBU / 1 TSBL3	
	Hinged cover - square	BDVKK3	270 x 270 mm					
	Blind cover - rectangular	BDVKK2	270 x 195 mm					
	Blind cover - round	BDRKK3	Ø diameter 330 mm					
Tile Wooden laminated	Stainless steel 304	Equipped	up to 26 mm	Hinged cover - square	KDVIRK3	270 x 270 mm	max. 3 TSBU / 1 TSBL3	
				Hinged cover - rectangular	KDVIRK2	270 x 195 mm	max. 2 TSBU / 1 TSBL2	

VGI28

Floor trunking with integrated ends



With 2 or 3 compartments.

Thickness cover 1,50 mm

Thickness trunk 1,00 mm

Standard finish Pre-galvanised

HD	Reference	↑ mm	↔ mm	↔ mm	↔ mm	kg/m	📦	Stock	Unit
-	VGI28.170S1	28	170		3000	4.968	150		m
-	VGI28.170S2	28	170		3000	5.467	150		m
-	VGI28.250S1	28	250		3000	6.538	150		m
-	VGI28.250S2	28	250		3000	7.241	150		m
-	VGI28.350S1	28	350		3000	8.500	150		m
-	VGI28.350S2	28	350		3000	9.471	150		m

Tested according EN 50085-2-2.

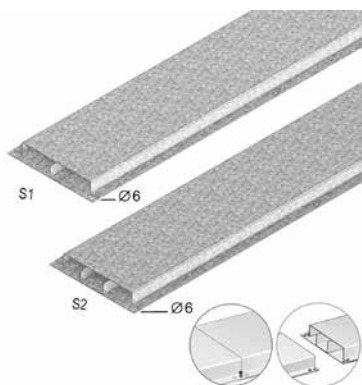
In total 16 predrilled fixing points available per length.

No additional pieces needed for equipotential connection.

The product is patented.

VGI38

Floor trunking with integrated ends



With 2 or 3 compartments.

Thickness cover 1,50 mm

Thickness trunk 1,00 mm

Standard finish Pre-galvanised

HD	Reference	↑ mm	↔ mm	↔ mm	↔ mm	kg/m	📦	Stock	Unit
-	VGI38.170S1	38	170		3000	5.282	150		m
-	VGI38.170S2	38	170		3000	5.860	150		m
-	VGI38.250S1	38	250		3000	6.852	150		m
-	VGI38.250S2	38	250		3000	7.634	150	✓	m
-	VGI38.350S1	38	350		3000	8.814	150		m
-	VGI38.350S2	38	350		3000	9.863	150	✓	m

Tested according EN 50085-2-2.

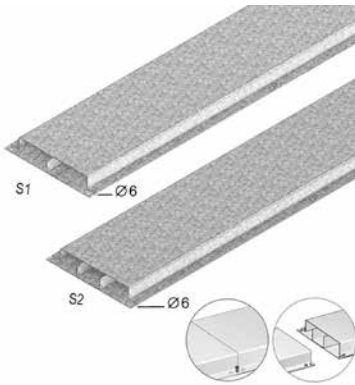
In total 16 predrilled fixing points available per length.

No additional pieces needed for equipotential connection.

The product is patented.

VGI48

Floor trunking with integrated ends



With 2 or 3 compartments.

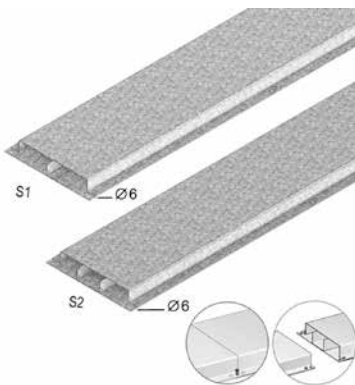
Thickness cover	1,50 mm
Thickness trunk	1,00 mm
Standard finish	Pre-galvanised

HD	Reference	↑ mm	↔ mm	↔ mm	↔ mm	kg/m	⊞	Stock	Unit
-	VGI48.170S1	48	170		3000	5.596	150		m
-	VGI48.170S2	48	170		3000	6.252	150		m
-	VGI48.250S1	48	250		3000	7.166	150		m
-	VGI48.250S2	48	250		3000	8.026	150		m
-	VGI48.350S1	48	350		3000	9.128	150		m
-	VGI48.350S2	48	350		3000	10.256	150		m

Tested according EN 50085-2-2.
 In total 16 predrilled fixing points available per length.
 No additional pieces needed for equipotential connection.
 The product is patented.

VGLI28

Floor trunking light integrated ends



With 2 or 3 compartments.

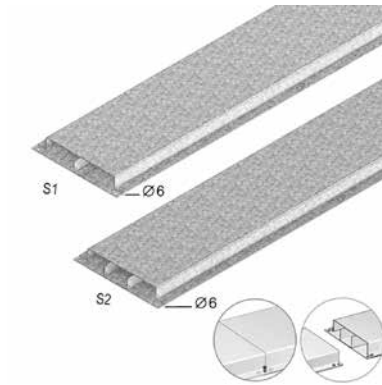
Thickness cover	1,00 mm
Thickness trunk	1,00 mm
Standard finish	Pre-galvanised

HD	Reference	↑ mm	↔ mm	↔ mm	↔ mm	kg/m	⊞	Stock	Unit
-	VGLI28.170S1	28	170		3000	3.976	150		m
-	VGLI28.170S2	28	170		3000	4.475	150		m
-	VGLI28.250S1	28	250		3000	5.232	150	✓	m
-	VGLI28.250S2	28	250		3000	5.935	150		m
-	VGLI28.350S1	28	350		3000	6.802	150		m
-	VGLI28.350S2	28	350		3000	7.772	150	✓	m

Tested according EN 50085-2-2.
 In total 16 predrilled fixing points available per length.
 No additional pieces needed for equipotential connection.
 The product is patented.

VGLI38

Floor trunking light integrated ends



With 2 or 3 compartments.

Thickness cover 1,00 mm

Thickness trunk 1,00 mm

Standard finish Pre-galvanised

HD	Reference	↑ mm	↔ mm	↔ mm	↔ mm	kg/m	⊞	Stock	Unit
-	VGLI38.170S1	38	170		3000	4.211	150		m
-	VGLI38.170S2	38	170		3000	4.789	150		m
-	VGLI38.250S1	38	250		3000	5.467	150	✓	m
-	VGLI38.250S2	38	250		3000	6.249	150		m
-	VGLI38.350S1	38	350		3000	7.037	150		m
-	VGLI38.350S2	38	350		3000	8.086	150	✓	m

Tested according EN 50085-2-2.

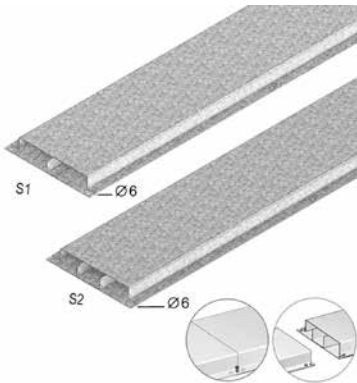
In total 16 predrilled fixing points available per length.

No additional pieces needed for equipotential connection.

The product is patented.

VGLI48

Floor trunking light integrated ends



With 2 or 3 compartments.

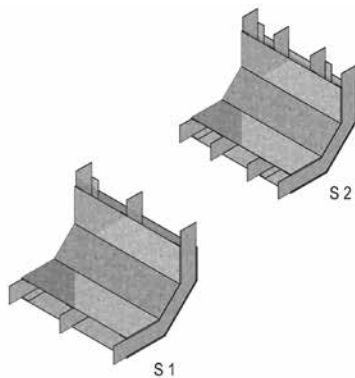
Thickness cover	1,00 mm
Thickness trunk	1,00 mm
Standard finish	Pre-galvanised

HD	Reference	↑ mm	↔ mm	↔ mm	↔ mm	kg/m	⊠	Stock	Unit
-	VGLI48.170S1	48	170		3000	4.447	150		m
-	VGLI48.170S2	48	170		3000	5.103	150		m
-	VGLI48.250S1	48	250		3000	5.703	150		m
-	VGLI48.250S2	48	250		3000	6.563	150		m
-	VGLI48.350S1	48	350		3000	7.273	150		m
-	VGLI48.350S2	48	350		3000	8.400	150		m

Tested according EN 50085-2-2.
 In total 16 predrilled fixing points available per length.
 No additional pieces needed for equipotential connection.
 The product is patented.

VSB

Rising / low elbow for floor trunking



With 2 or 3 compartments.

Standard finish	Pre-galvanised
-----------------	----------------

HD	Reference	↑ mm	↔ mm	↔ mm	↔ mm	kg/piece	⊠	Stock	Unit
-	VSB28.170S1	28	170		-	0.600	1		piece
-	VSB28.170S2	28	170		-	0.650	1		piece
-	VSB28.250S1	28	250		-	0.750	1		piece
-	VSB28.250S2	28	250		-	0.800	1		piece
-	VSB28.350S1	28	350		-	1.000	1		piece
-	VSB28.350S2	28	350		-	1.050	1		piece
-	VSB38.170S1	38	170		-	0.600	1		piece
-	VSB38.170S2	38	170		-	0.650	1		piece
-	VSB38.250S1	38	250		-	0.800	1		piece
-	VSB38.250S2	38	250		-	0.850	1		piece
-	VSB38.350S1	38	350		-	1.000	1		piece
-	VSB38.350S2	38	350		-	1.100	1		piece
-	VSB48.170S1	48	170		-	0.600	1		piece
-	VSB48.170S2	48	170		-	0.700	1		piece
-	VSB48.250S1	48	250		-	0.750	1		piece
-	VSB48.250S2	48	250		-	0.850	1		piece
-	VSB48.350S1	48	350		-	1.050	1		piece
-	VSB48.350S2	48	350		-	1.150	1		piece

Tested according EN 50085-2-2.
 To connect the galvanised floor trunking with a rising trunking.
 Also useful as a low piece.

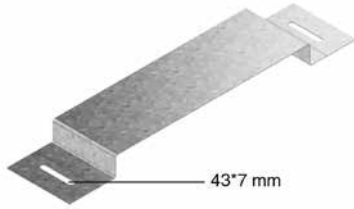
VK

Joining piece for floor trunking

To couple two trunkings.

Standard finish

Pre-galvanised



HD	Reference	↑ mm	↔ mm	↔ mm	↔ mm	kg/piece	📦	Stock	Unit
-	VK28.170	28	170		-	0.266	12	✓	piece
-	VK28.250	28	250		-	0.331	12	✓	piece
-	VK28.350	28	350		-	0.411	12	✓	piece
-	VK38.170	38	170		-	0.282	12	✓	piece
-	VK38.250	38	250		-	0.347	12	✓	piece
-	VK38.350	38	350		-	0.427	12	✓	piece
-	VK48.170	48	170		-	0.298	12	✓	piece
-	VK48.250	48	250		-	0.363	12	✓	piece
-	VK48.350	48	350		-	0.443	12	✓	piece

Tested according EN 50085-2-2.

VE

End piece for floor trunking

Standard finish

Pre-galvanised

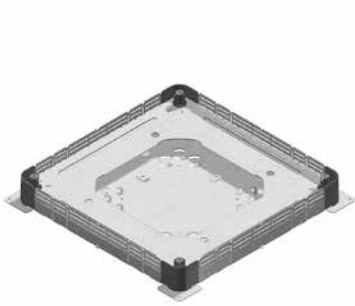


HD	Reference	↑ mm	↔ mm	↔ mm	↔ mm	kg/piece	📦	Stock	Unit
-	VE28.170	30	165		-	0.080	1		piece
-	VE28.250	30	245		-	0.110	1		piece
-	VE28.350	30	345		-	0.160	1		piece
-	VE38.170	40	165		-	0.100	1		piece
-	VE38.250	40	245		-	0.140	1		piece
-	VE38.350	40	345		-	0.180	1		piece
-	VE48.170	50	165		-	0.110	1		piece
-	VE48.250	50	245		-	0.160	1		piece
-	VE48.350	50	345		-	0.220	1		piece

Tested according EN 50085-2-2.

NEO

Universal floorbox



For all widths and heights of floor trunkings.
For square, rectangular and round cover set.

Standard finish

Pre-galvanised

HD	Reference	↑ mm	↔ mm	↔ mm	↔ mm	kg/piece		Stock	Unit
-	NEO	48	490		490	4.150	1	✓	piece

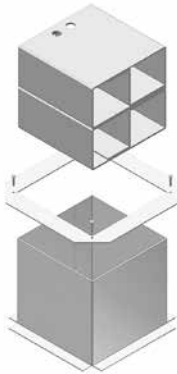
Tested to EN 50085-2-2.

Side panels are equipped with break-away surfaces for Ø 16 mm for assembly with pipes.
Provided with 4 alignment marks.
Bottom plate is provided with earthing clamp.

Height is adjustable to suit the height of trunking, 28, 38 or 48 mm.
Side panels are cut and folded to suit the width of the trunking.
A form element, type VEVV or VERV, is required to install the floor box.
Minimum height of the screed: 65mm

VEVV

Form element



Delivered with reinforcing plates.

Standard finish Polypropylene

HD	Reference	↑ mm	↔ mm	↔ mm	↔ mm	kg/piece	📦	Stock	Unit
-	VEVV2	250	190		270	0.700	12	✓	piece
-	VEVV3	250	270		270	0.500	12	✓	piece

Height screed: max. 298 mm

VEVV2: For rectangular cover set

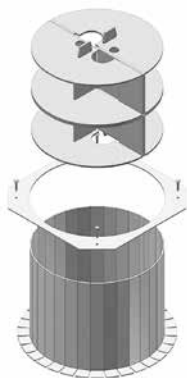
- BDVKK2
- KDVKK2
- KDVIT2
- KDVIRK2
- BDVITWD2

VEVV3: For square cover set

- BDVKK3
- KDVKK3
- KDVIT3
- KDVIRK3
- BDVITWD3
- KDVITWD3
- DVITWD3
- KDVITV3

VERV

Form element round



Standard finish Polypropylene

HD	Reference	↑ mm	↔ mm	↔ mm	↔ mm	kg/piece	📦	Stock	Unit
-	VERV3	250	330		330	0.900	12	✓	piece

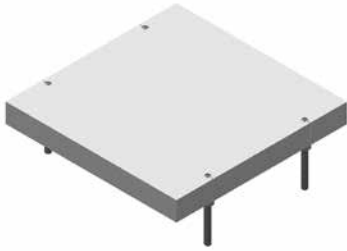
Height screed: max. 298 mm

VERV3: For round cover set

- BDRKK3
- KDRKK3
- BDRITWD3
- DRITWD3

VEVP

Form element polished concrete



Standard finish

EPS

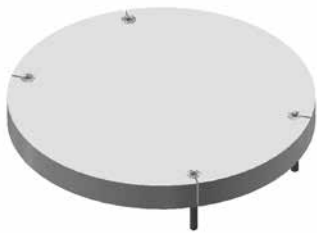
HD	Reference	↑ mm	↔ mm	↔ mm	↔ mm	kg/piece	⊞	Stock	Unit
-	VEVP2	-	189		264	0.211	1		piece
-	VEVP3	-	264		264	0.231	1	✓	piece
Fix with:									
-	NEOT	-	-	-	-	-	-		-

VEVP2: For rectangular cover set
 - KDVT2
 - BDVTWD2

VEVP3: For square cover set
 - KDVT3
 - BDVTWD3
 - KDVTWD3
 - DVTWD3
 - KDVT3

VERP

Form element round polished concrete

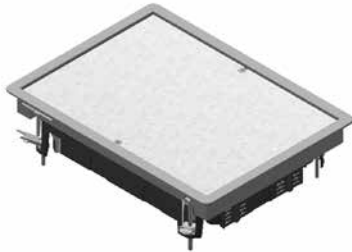


Standard finish

EPS

HD	Reference	↑ mm	↔ mm	↔ mm	↔ mm	kg/piece	⊞	Stock	Unit
-	VERP3	-				0.244	1		piece
Fix with:									
-	NEOT	-	-	-	-	-	-		-

For round cover set
 - BDRITWD3
 - DRITWD3

BDVKK2**Blind cover rectangular, universal**

Color	grey RAL 7011 / Black RAL 9011
Max. load	1500 N (small surface area)
Max. load	2000 N (large surface area)
Non-active condition	IP 30
Depth of floor covering	Max. 12 mm
Thickness steel plate	3 mm
Standard finish	Polypropylene

HD	Reference	↑ mm	↔ mm	↔ mm	↔ mm	kg/piece	📦	Stock	Unit
-	BDVKK2.5-7011	-	192		267	1.750	6	✓	piece
-	BDVKK2.5-9011	-	192		267	1.750	6	✓	piece
-	BDVKK2.8-7011	-	192		267	1.600	6		piece
-	BDVKK2.8-9011	-	192		267	1.600	6		piece

Tested to EN 50085-2-2.

Depth of floor covering can be reduced by fitting packers OHEVB2.2 and/or OHEVB2.5.

- BDVKK2.5: Standard 5 mm
- BDVKK2.8: Standard 8 mm

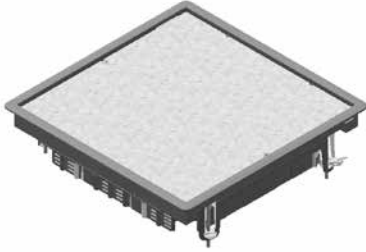
Can be fixed through included universal clamps in screed floor or in raised floor panels.

- Cut-outs in the floor panels 270x195 mm
- Clamp range between 30 and 50 mm

For use in dry floors only.

BDVKK3

Blind cover square, universal



Color	grey RAL 7011 / Black RAL 9011
Max. load	1500 N (small surface area)
Max. load	2000 N (large surface area)
Non-active condition	IP 30
Depth of floor covering	Max. 12 mm
Thickness steel plate	3 mm
Standard finish	Polypropylene

HD	Reference	↑ mm	↔ mm	↔ mm	↔ mm	kg/piece	⊞	Stock	Unit
-	BDVKK3.5-7011	-	267		267	2.300	6	✓	piece
-	BDVKK3.5-9011	-	267		267	2.300	6	✓	piece
-	BDVKK3.8-7011	-	267		267	2.125	6		piece
-	BDVKK3.8-9011	-	267		267	2.125	6		piece

Tested to EN 50085-2-2.

Depth of floor covering can be reduced by fitting packers OHEVB3.2 and/or OHEVB3.5.

- BDVKK3.5: Standard 5 mm
- BDVKK3.8: Standard 8 mm

Can be fixed through included universal clamps in screed floor or in raised floor panels.

- Cut-outs in the floor panels 270x270 mm
- Clamping range 30 to 50 mm

For use in dry floors only.

BDRKK3**Blind cover round, universal**

Color	grey RAL 7011 / Black RAL 9011
Max. load	1500 N (small surface area)
Max. load	2000 N (large surface area)
Non-active condition	IP 30
Depth of floor covering	Max. 12 mm
Thickness steel plate	3 mm
Standard finish	Polypropylene

HD	Reference	↑ mm	↔ mm	↔ mm	↔ mm	kg/piece	📦	Stock	Unit
-	BDRKK3.5-7011	-	327		327	2.400	6	✓	piece
-	BDRKK3.5-9011	-	327		327	2.400	6		piece
-	BDRKK3.8-7011	-	327		327	2.275	6		piece
-	BDRKK3.8-9011	-	327		327	2.275	6		piece

Tested to EN 50085-2-2.

Depth of floor covering can be reduced by fitting packers OHER3.2 and/or OHER3.5.

- BDRKK3.5: Standard 5 mm
- BDRKK3.8: Standard 8 mm

Can be fixed through included universal clamps in screed floor or in raised floor panels.

- Cut-outs in the floor panels diameter 330 mm
- Clamp range between 30 and 50 mm.

For use in dry floors only.

KDVKK2

Hinged cover rectangular, universal



Build-in frame + hinged cover + cable outlet unit

Color	grey RAL 7011 / Black RAL 9011
Max. load	1500 N (small surface area)
Max. load	2000 N (large surface area)
Active condition	IP 20
Non-active condition	IP 30
Depth of floor covering	Max. 12 mm
Thickness steel plate	3 mm
Standard finish	Polypropylene

HD	Reference	↑ mm	↔ mm	↔ mm	↔ mm	kg/piece	📦	Stock	Unit
-	KDVKK2.5-7011	-	192		267	1.650	6	✓	piece
-	KDVKK2.5-9011	-	192		267	1.650	6	✓	piece
-	KDVKK2.8-7011	-	192		267	1.525	6		piece
-	KDVKK2.8-9011	-	192		267	1.525	6		piece

Tested to EN 50085-2-2.

Hinged cover for 2 compartments.

Depth of floor covering can be reduced by fitting packers OHEV2.2 and/or OHEV2.5.

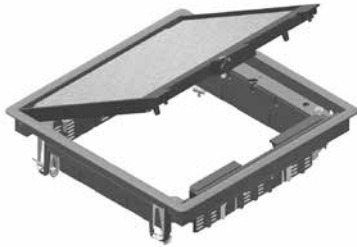
- KDVKK2.5: Standard 5 mm
- KDVKK2.8: Standard 8 mm

Can be fixed through included universal clamps in screed floor or in raised floor panels.

- Cut-outs in the floor panels 270x195 mm
- Clamp range between 30 and 50 mm

Hinged cover is provided with 1 cable outlet with integrated push lever and cable organiser.
Hinged cover must not be earthed.

For use in dry floors only.

KDVKK3**Hinged cover square, universal**

Build-in frame + hinged cover + cable outlet unit

Color	grey RAL 7011 / Black RAL 9011
Max. load	1500 N (small surface area)
Max. load	2000 N (large surface area)
Active condition	IP 20
Non-active condition	IP 30
Depth of floor covering	Max. 12 mm
Thickness steel plate	3 mm
Standard finish	Polypropylene

HD	Reference	↑ mm	↔ mm	↔ mm	↔ mm	kg/piece	📦	Stock	Unit
-	KDVKK3.5-7011	-	267		267	2.200	6	✓	piece
-	KDVKK3.5-9011	-	267		267	2.200	6	✓	piece
-	KDVKK3.8-7011	-	267		267	2.050	6		piece
-	KDVKK3.8-9011	-	267		267	2.050	6		piece

Tested to EN 50085-2-2.

Hinged cover for 3 compartments.

Depth of floor covering can be reduced by fitting packers OHEV3.2 and/or OHEV3.5.

- KDVKK3.5: Standard 5 mm
- KDVKK3.8: Standard 8 mm

Can be fixed through included universal clamps in screed floor or in raised floor panels.

- Cut-outs in the floor panels 270x270 mm
- Clamping range 30 to 50 mm

Hinged cover is provided with 2 cable outlets with integrated push lever and cable organiser.
Hinged cover must not be earthed.

For use in dry floors only.

KDRKK3

Hinged cover round, universal



Build-in frame + hinged cover + cable outlet unit

Color	grey RAL 7011 / Black RAL 9011
Max. load	1500 N (small surface area)
Max. load	2000 N (large surface area)
Active condition	IP 20
Non-active condition	IP 30
Depth of floor covering	Max. 12 mm
Thickness steel plate	3 mm
Standard finish	Polypropylene

HD	Reference	mm	mm	mm	mm	kg/piece		Stock	Unit
-	KDRKK3.5-7011	-	327		327	2.450	6	✓	piece
-	KDRKK3.5-9011	-	327		327	2.450	6	✓	piece
-	KDRKK3.8-7011	-	327		327	2.250	6		piece
-	KDRKK3.8-9011	-	327		327	2.250	6		piece

Tested to EN 50085-2-2.

Hinged cover for 3 compartments.

Depth of floor covering can be reduced by fitting packers OHER3.2 and/or OHER3.5.

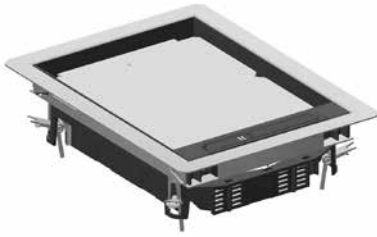
- KDRKK3.5: Standard 5 mm
- KDRKK3.8: Standard 8 mm

Can be fixed through included universal clamps in screed floor or in raised floor panels.

- Cut-outs in the floor panels diameter 330 mm
- Clamp range between 30 and 50 mm

Hinged cover is provided with 2 cable outlets with integrated push lever and cable organiser.
Hinged cover must not be earthed.

For use in dry floors only.

KDVIRK2**Hinged cover rectangular, with border**

Build-in frame with border + tileframe + cable outlet

Max. load 2000 N (small surface area)

Max. load 3000 N (large surface area)

Active condition IP 20

Non-active condition IP 30

Depth of floor covering Max. 26 mm

Standard finish Stainless Steel 304

HD	Reference	↑ mm	↔ mm	↔ mm	↔ mm	kg/piece	📦	Stock	Unit
-	KDVIRK2	-	192		267	2.125	1	✓	piece

Tested to EN 50085-2-2.

Hinged cover for 2 compartments.

Depth of floor covering can be reduced by fitting packers OHEV2.2 and/or OHEV2.5

Can be fixed through included universal clamps in screed floor or in raised floor panels.

- Cut-outs in the floor panels 270x195 mm
- clamp range between 30 and 50 mm

Hinged cover is provided with 2 cable outlets with integrated push lever and cable organiser.
Hinged cover is provided with an earthing strip between cover and frame.

For use in dry floors only.

KDVIRK3

Hinged cover square, with border



Build-in frame with border + tileframe + cable outlet

Max. load	2000 N (small surface area)
Max. load	3000 N (large surface area)
Active condition	IP 20
Non-active condition	IP 30
Depth of floor covering	Max. 26 mm
Standard finish	Stainless Steel 304

HD	Reference	mm	mm	mm	mm	kg/piece	Stock	Unit
-	KDVIRK3	-	267		267	2.675	1	piece

Tested to EN 50085-2-2.

Hinged cover for 3 compartments.

Depth of floor covering can be reduced by fitting packers OHEV3.2 and/or OHEV3.5

Can be fixed through included universal clamps in screed floor or in raised floor panels.

- Cut-outs in the floor panels 270x270 mm
- Clamp range between 30 and 50 mm

Hinged cover is provided with 2 cable outlets with integrated push lever and cable organiser.
Hinged cover is provided with an earthing strip between cover and frame.

For use in dry floors only.

KDVIT2**Hinged cover rectangular, Stainl. steel**

Build-in frame + tileframe + cable outlet + alu frame

Max. load 2000 N (small surface area)

Max. load 3000 N (large surface area)

Active condition IP 20

Non-active condition IP 30

Depth of floor covering Max. 26 mm

Standard finish Stainless Steel 304

HD	Reference	↑ mm	↔ mm	↔ mm	↔ mm	kg/piece	📦	Stock	Unit
-	KDVIT2	-	192		267	2.500	1	✓	piece

Tested to EN 50085-2-2.

Hinged cover for 2 compartments.

Depth of floor covering can be reduced by fitting packers OHEV2.2 and/or OHEV2.5.

Can be leveled by adjusting 4 bolts on included alu-frame NEOT2.

Hinged cover is provided with 1 cable outlet with integrated push lever and cable organiser.
Hinged cover is provided with an earthing strip between cover and frame.

A reinforcement kit KDVIZ2 is available to support heavy loads.

For use in dry floors only.

KDVIT3

Hinged cover square, stainless steel



Build-in frame + tileframe + cable outlet + alu frame

Max. load 2000 N (small surface area)

Max. load 3000 N (large surface area)

Active condition IP 20

Non-active condition IP 30

Depth of floor covering Max. 26 mm

Standard finish Stainless Steel 304

HD	Reference	↑ mm	↔ mm	↔ mm	↔ mm	kg/piece	📦	Stock	Unit
-	KDVIT3	-	267		267	3.100	1	✓	piece

Tested to EN 50085-2-2.

Hinged cover for 3 compartments.

Depth of floor covering can be reduced by fitting packers OHEV3.2 and/or OHEV3.5.

Can be leveled by adjusting 4 bolts on included alu-frame NEOT3.

Hinged cover is provided with 2 cable outlets with integrated push lever and cable organiser.
Hinged cover is provided with an earthing strip between cover and frame.

A reinforcement kit KDVIZ3 is available to support heavy loads.

For use in dry floors only.

KDVITV3**Hinged cover square flat stainless steel**

Build-in frame + tileframe + cable outlet + alu frame

Max. load 2000 N (small surface area)

Max. load 3000 N (large surface area)

Active condition IP 20

Non-active condition IP 30

Standard finish Stainless Steel 304

HD	Reference	↑ mm	↔ mm	↔ mm	↔ mm	kg/piece	📦	Stock	Unit
-	KDVITV3	-	267		267	3.350	1	✓	piece

Tested to EN 50085-2-2.

Hinged cover for 3 compartments.

Can be leveled by adjusting 4 bolts on included alu-frame NEOT3.

Hinged cover is provided with 2 cable outlets with integrated push lever and cable organiser.

Hinged cover is provided with an earthing strip between cover and frame.

For use in dry floors only.

BDVITWD2

Blind cover rectangular, water resistant



Max. load	2000 N (small surface area)
Max. load	3000 N (large surface area)
Non-active condition	IP 53
Depth of floor covering	Max. 26 mm
Standard finish	Stainless Steel 304

HD	Reference	↑ mm	↔ mm	↔ mm	↔ mm	kg/piece	📦	Stock	Unit
-	BDVITWD2	-	192		267	2.250	1	✓	piece

Tested to EN 50085-2-2.

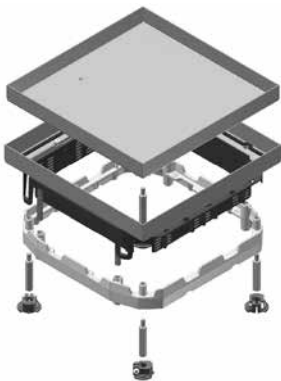
Depth of floor covering can be reduced by fitting packers OHEV2.2 and OHEV2.5.

Can be leveled by adjusting 4 bolts on included alu-frame NEOT2.
 Mounting without hinges.
 Cover can be mounted into cover frame in 2 directions.
 A reinforcement kit BDVIZ2 is available to support heavy loads.

Ideal for wet areas.

BDVITWD3

Blind cover square, water resistant



Max. load	2000 N (small surface area)
Max. load	3000 N (large surface area)
Non-active condition	IP 53
Depth of floor covering	Max. 26 mm
Standard finish	Stainless Steel 304

HD	Reference	↑ mm	↔ mm	↔ mm	↔ mm	kg/piece	📦	Stock	Unit
-	BDVITWD3	-	267		267	2.750	1	✓	piece

Tested to EN 50085-2-2.

Depth of floor covering can be reduced by fitting packers OHEV3.2 and/or OHEV3.5.

Can be leveled by adjusting 4 bolts on included alu-frame NEOT3.
 Mounting without hinges.
 Cover can be mounted into cover frame in 4 directions.

A reinforcement kit is available to support heavy loads BDVIZ3.

Ideal for wet areas.

BDRITWD3**Blind cover round, water resistant**

Max. load	2000 N (small surface area)
Max. load	3000 N (large surface area)
Non-active condition	IP 53
Depth of floor covering	Max. 26 mm
Standard finish	Stainless Steel 304

HD	Reference	↑ mm	↔ mm	↔ mm	↔ mm	kg/piece	📦	Stock	Unit
-	BDRITWD3	-	327		327	2.825	1	✓	piece

Tested to EN 50085-2-2.

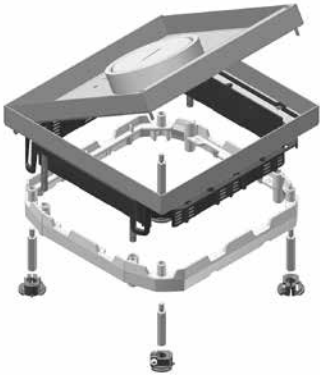
Depth of floor covering can be reduced by fitting packers OHER3.2 and/or OHER3.5.

Can be leveled by adjusting 4 bolts on included alu-frame NEOT3.
Mounting without hinges.

Ideal for wet areas.

KDVITWD3

Hinged cover square, water resistant



Build-in frame + tileframe + water resistant cable outlet + alu frame

Max. load 2000 N (small surface area)

Max. load 3000 N (large surface area)

Active condition IP 23

Non-active condition IP 53

Depth of floor covering Max. 26 mm

Standard finish Stainless Steel 304

HD	Reference	↑ mm	↔ mm	↔ mm	↔ mm	kg/piece	📦	Stock	Unit
-	KDVITWD3	-	267		267	3.800	1	✓	piece

Tested to EN 50085-2-2.

Hinged cover for 3 compartments.

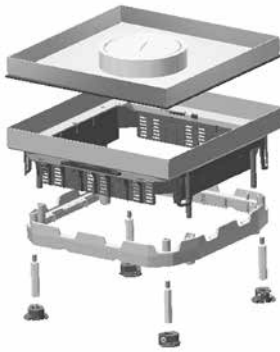
Can be leveled by adjusting 4 bolts on included alu-frame NEOT3.

Cover can be mounted into cover frame in 1 direction.

Hinged cover is provided with a watertight cable exit and an aluminium screwcover. This can be extended with a cable exit tube (KUWDT) which guarantees watertightness when in use.

Hinged cover is provided with an earthing strip between cover and frame.

Ideal for wet areas.

DVITWD3**Tile-cassette square, water resistant**

Build-in frame + tileframe + water resistant cable outlet + alu frame

Max. load 2000 N (small surface area)

Max. load 3000 N (large surface area)

Active condition IP 23

Non-active condition IP 53

Depth of floor covering Max. 26 mm

Standard finish Stainless Steel 304

HD	Reference	↑ mm	↔ mm	↔ mm	↔ mm	kg/piece	📦	Stock	Unit
-	DVITWD3	-	267		267	3.100	1	✓	piece

The mounting principle for this product can be found at the end of this chapter.

Tested to EN 50085-2-2.

Cover for 3 compartments.

Can be leveled by adjusting 4 bolts on included alu-frame NEOT3.

Mounting without hinges.

Cover can be mounted into cover frame in 4 directions.

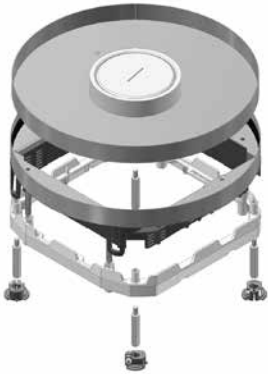
Cover is provided with a watertight cable exit and an aluminium screwcover. This can be extended with a cable exit tube (KUWDT) which guarantees watertightness when in use.

Cover is provided with an earthing strip between cover and frame.

Ideal for wet areas.

DRITWD3

Cover round, watertight cable outlet



Build-in frame + tileframe + water resistant cable outlet + alu frame

Max. load 2000 N (small surface area)

Max. load 3000 N (large surface area)

Active condition IP 23

Non-active condition IP 53

Depth of floor covering Max. 26 mm

Standard finish Stainless Steel 304

HD	Reference	↑ mm	↔ mm	↔ mm	↔ mm	kg/piece	⊞	Stock	Unit
-	DRITWD3	-	327		327	3.350	1	✓	piece

Tested to EN 50085-2-2.

Cover for 3 compartment boxes.

Can be leveled by adjusting 4 bolts on included alu-frame NEOT3.
Mounting without hinges.

Cover is provided with a watertight cable exit and an aluminium screwcover. This can be extended with a cable exit tube (KUWDT) which guarantees watertightness when in use.
Cover is provided with an earthing strip between cover and frame.

Ideal for wet areas.

KUWDT

Tube for water resistant cable exit

For water resistant covers DVITWD, DRITWD and KDVITWD

Standard finish Aluminium



HD	Reference	↑ mm	↔ mm	↔ mm	↔ mm	kg/piece	⊞	Stock	Unit
-	KUWDT	-				0.170	1	✓	piece

Tested to EN 50085-2-2.

Can be screwed into alu-ring of cover.

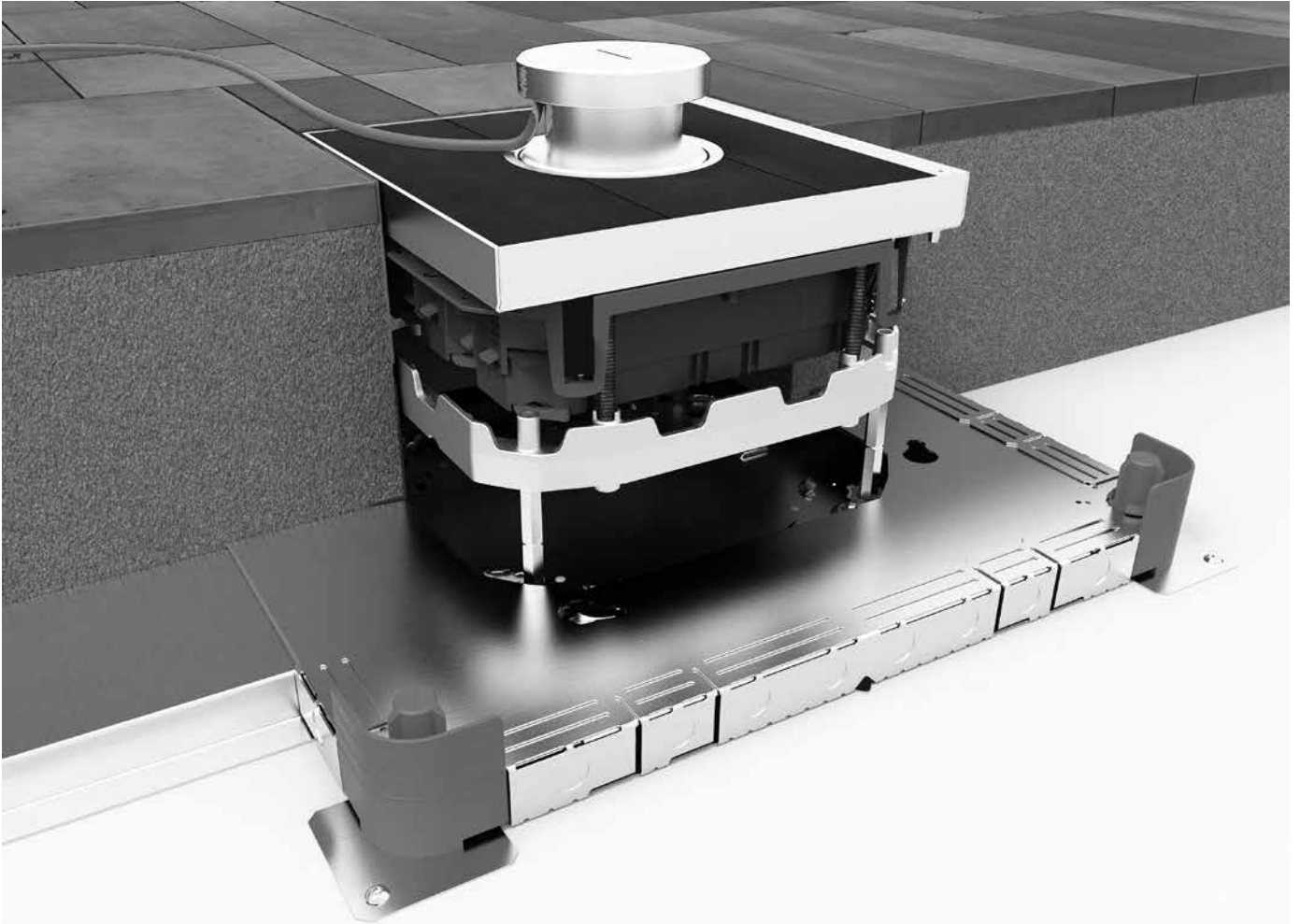
The tube protects against ingress of water to a depth of 30mm.

The tube is covered with the aluminium screw-on cover of the cover. This cover protects against ingress of water coming from all directions.

When not in use, the tube can be stored underneath the aluminium ring of the cover.

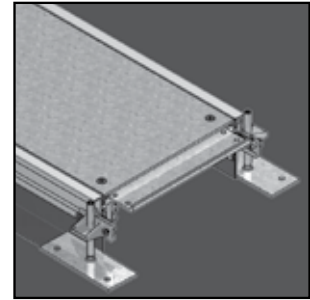
DVITWD3

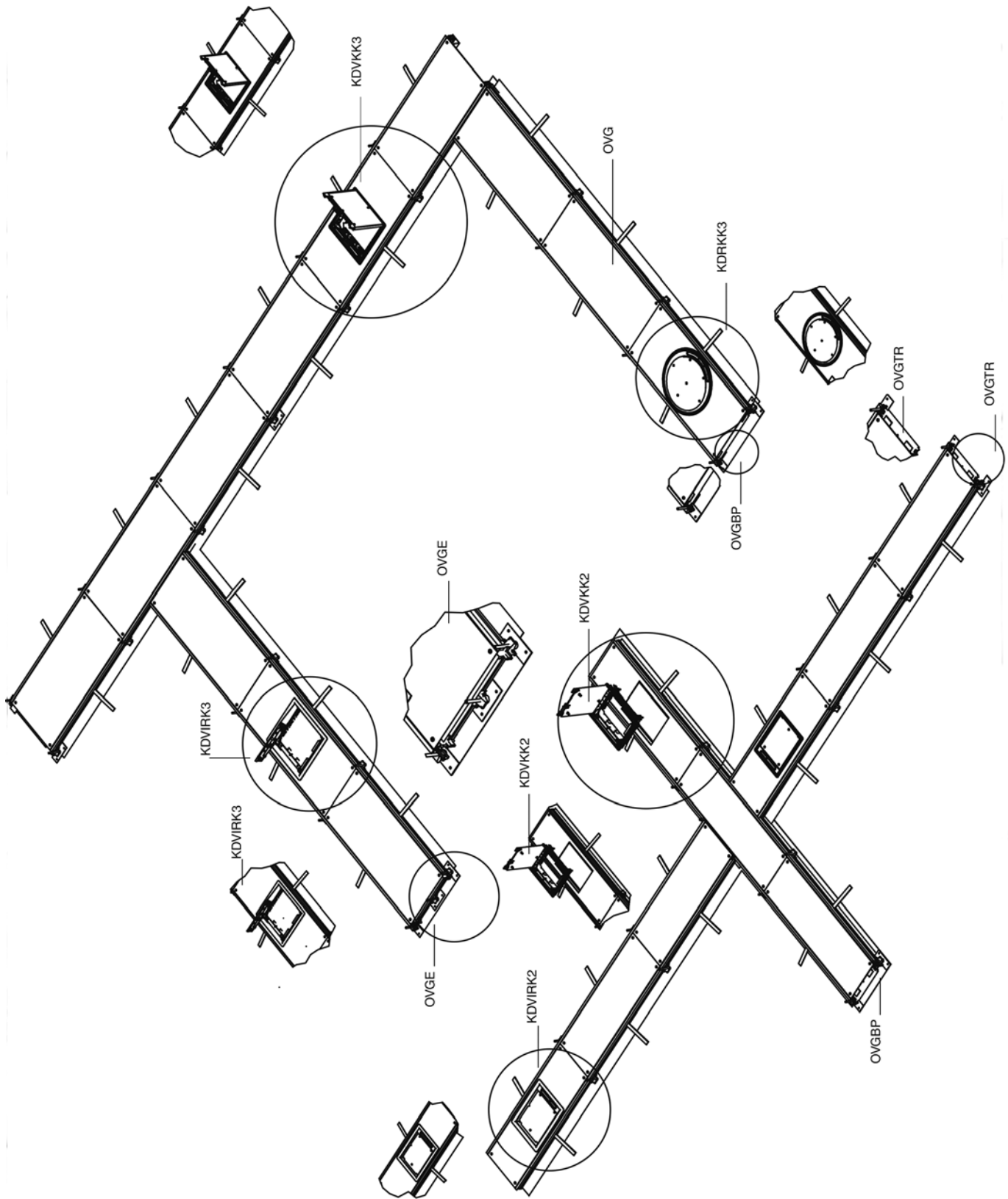
Mounting principle



FLOOR INSTALLATIONS

Flush floor trunking system





FLUSH FLOOR TRUNKING SYSTEMS

Open flush floor trunking

To be used for concrete floors for both new construction and renovation, in which the floor coating is carpet or vinyl.

Description	Opening cover	250 mm Width	350 mm Width	450 mm Width	Hinged cover
Open flush floor trunking		OVG250.3	OVG350.3	OVG450.4	
		DOVG250.3	DOVG350.3	DOVG450.4	
	rectangular	DOVG250.3.2			KDVKK2 KDVIRK2
Cover	square		DOVG350.3.3	DOVG450.4.3	KDVKK3 KDVIRK3
	round			DOVGR450.4.3	KDRKK3
Accessories		250 mm Width	350 mm Width	450 mm Width	
Bend		OVGB250.3	OVGB350.3	OVGB450.4	
T-piece		OVGT250.3	OVGT350.3	OVGT450.4	
Cross piece		OVGK250.3	OVGK350.3	OVGK450.4	
End part		OVGE250.3	OVGE350.3	OVGE450.4	
Crossbar		OVGTR250	OVGTR350	OVGTR450	
Division plate			SLOS35 SLOS60 SLOS85 SLOS110		

OVG

Open flush floor trunking



Ideal for frequent addition or removal of cables. For both new constructions and renovations.

To order till height 150 mm

HD	Reference	↑ mm	↔ mm	↔ mm	↔ mm	kg/m	⊞	Stock	Unit
-	OVG250.3	-	250		2400	9.406	24	✓	m
-	OVG350.3	-	350		2400	11.986	24	✓	m
-	OVG450.4	-	450		2400	19.228	24	✓	m

The mounting principle for this product can be found at the end of this chapter.

Tested according EN 50085-2-2.

- Used in screeded floors to be finished with carpet or vinyl.
- Levelling range: 55 to 110 mm.
- Hinged covers can be mounted from levelling height 70 mm.
- Universal side for all levelling heights.
- Straightforward assembly of accessories with plastic corner connector.

Each flush floor trunking comes standard with the following products:

- 2 Extrusion profile (OVGP)
- 2 Universal sides (OVGZ)
- 3 Cross bars (OVGTR)
- 2 Carpet borders (OVGTAP)*
- 3 Sealed covers (DOVG)
- 6 Levelling pieces
- 16 Taperedhead metal screws (ST48x23)
- 6 Screed anchor (OVGAN)
- 12 Tapered head bolts (BZ5.16)
- 6 Levelling screws
- 2 Baseplates

* Gauge of OVG TAP depends on the gauge of the cover.

6

DOVG

Cover for flush floor trunking



Standard finish

Pre-galvanised

HD	Reference	↑ mm	↔ mm	↔ mm	↔ mm	kg/piece	⊞	Stock	Unit
-	DOVG250.3	-	250	3.00	800	4.725	1		piece
-	DOVG350.3	-	350	3.00	800	6.603	1		piece
-	DOVG450.4	-	450	4.00	800	12.218	1		piece

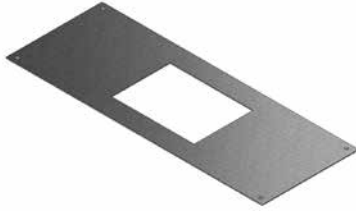
DOVGV.2

Cover for flush floor trunking

For hinged cover KDVKK2 and KDVIRK2.

Standard finish

Pre-galvanised



HD	Reference	↑ mm	↔ mm	↔ mm	↔ mm	kg/piece	📦	Stock	Unit
-	DOVGV250.3.2	-	250	3.00	800	3.313	1		piece

Replace the cover where you want to mount the flush mounting unit with a cover for the relevant flush mounting unit. Place the flush mounting unit in the opening provided. Fasten the flush mounting unit by tightening the clamps.

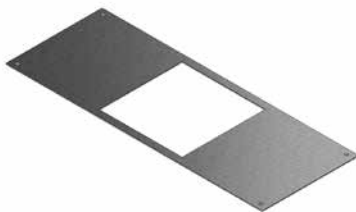
DOVGV.3

Cover for flush floor trunking

For hinged cover KDVKK3 and KDVIRK3.

Standard finish

Pre-galvanised

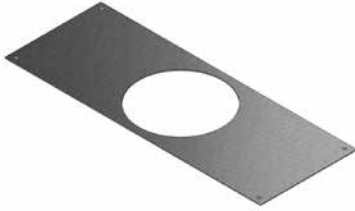


HD	Reference	↑ mm	↔ mm	↔ mm	↔ mm	kg/piece	📦	Stock	Unit
-	DOVGV350.3.3	-	450	4.00	800	4.783	1		piece
-	DOVGV450.4.3	-	450	4.00	800	8.843	1		piece

Replace the cover where you want to mount the flush mounting unit with a cover for the relevant flush mounting unit. Place the flush mounting unit in the opening provided. Fasten the flush mounting unit by tightening the clamps.

DOVGR.3

Cover for flush floor trunking



For hinged cover KDRKK3.

Standard finish

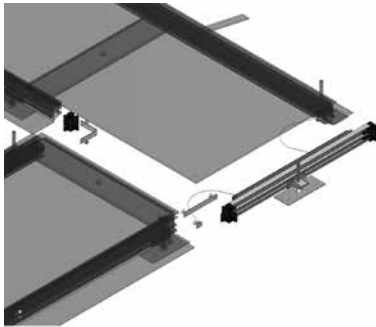
Pre-galvanised

HD	Reference	↑ mm	↔ mm	↔ mm	↔ mm	kg/piece	⊞	Stock	Unit
-	DOVGR450.4.3	-	450	4.00	800	9.450	1		piece

Replace the cover where you want to mount the flush mounting unit with a cover for the relevant flush mounting unit. Place the flush mounting unit in the opening provided. Fasten the flush mounting unit by tightening the clamps.

OVGB

Bend for flush floor trunking



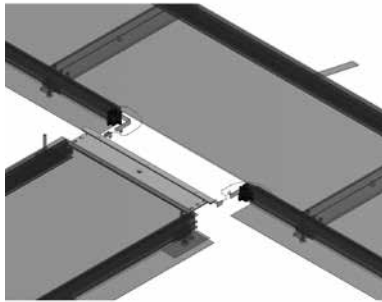
Connection angle (OVGHV) + end part (OVGE) + crossbar + 2 earth conductors (OVGEQ - OVGEQH).

HD	Reference	↑ mm	↔ mm	↔ mm	↔ mm	kg/piece	⊞	Stock	Unit
-	OVGB250.3	-	250		-	1.011	1	✓	piece
-	OVGB350.3	-	350		-	1.307	1	✓	piece
-	OVGB450.4	-	450		-	1.661	1	✓	piece

The mounting principle for this product can be found at the end of this chapter.

OVGT

T-piece for flush floor trunking



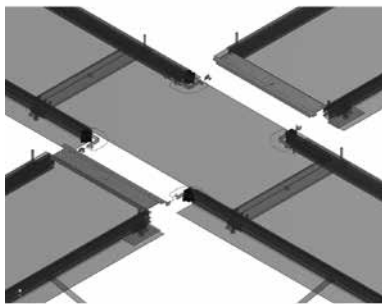
2 connection angles (OVGHV) + crossbar + 2 earth conductor clamps (OVGEQH) + 2 earthing straps.

HD	Reference	↑ mm	↔ mm	↔ mm	↔ mm	kg/piece	📦	Stock	Unit
-	OVGT250.3	-	250		-	0.466	1	✓	piece
-	OVGT350.3	-	350		-	0.799	1	✓	piece
-	OVGT450.4	-	450		-	1.073	1	✓	piece

The mounting principle for this product can be found at the end of this chapter.

OVGK

Cross piece for flush floor trunking



4 connection angles (OVGHV) + 2 crossbars + 4 earth conductor clamps (OVGEQH) + 4 earthing straps.

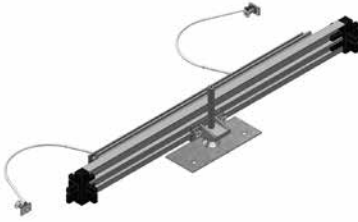
HD	Reference	↑ mm	↔ mm	↔ mm	↔ mm	kg/piece	📦	Stock	Unit
-	OVGK250.3	-	250		-	1.166	1	✓	piece
-	OVGK350.3	-	350		-	1.598	1	✓	piece
-	OVGK450.4	-	450		-	2.146	1	✓	piece

The mounting principle for this product can be found at the end of this chapter.

OVGE

End part for flush floor trunking

2 connection angles (OVGHV) + end part + bottom (OVGVST) + 2 earthing straps.



HD	Reference	↑ mm	↔ mm	↔ mm	↔ mm	kg/piece	⊞	Stock	Unit
-	OVGE250.3	-	250		-	0.438	1	✓	piece
-	OVGE350.3	-	350		-	0.518	1	✓	piece
-	OVGE450.4	-	450		-	0.598	1	✓	piece

The mounting principle for this product can be found at the end of this chapter.

For sealing the end of your open flush floor trunking.

These are slide into the conduit using the 2 plastic corner connectors. Level it so that the unit is properly supported. Connect the earthing cables.

OVGZ

Universal side for flush floor trunking



Color Black RAL 9011

Standard finish Polyvinyl chloride

HD	Reference	↑ mm	↔ mm	↔ mm	↔ mm	kg/m	⊞	Stock	Unit
-	OVGZ	-			2400	0.370	24		m

OVGP

Extrusion profile flush floor trunking



Standard finish Aluminium

HD	Reference	↑ mm	↔ mm	↔ mm	↔ mm	kg/m	⊞	Stock	Unit
-	OVGP4	-			2400	0.803	24		m

OVGTR

Crossbar for flush floor trunking

Additional support to mount the covers.



Standard finish

Pre-galvanised

HD	Reference	↑ mm	↔ mm	↔ mm	↔ mm	kg/piece	📦	Stock	Unit
-	OVGTR250	-	250		250	0.430	10		piece
-	OVGTR350	-	350		350	0.616	10		piece
-	OVGTR450	-	450		450	0.804	10		piece

OVGVST

Bottom for flush floor trunking



HD	Reference	↑ mm	↔ mm	↔ mm	↔ mm	kg/piece	📦	Stock	Unit
-	OVGVST	-				0.110	1		piece

OVGAN

Screed anchor for flush floor trunking



Color

black RAL 9011

Standard finish

Polypropylene

HD	Reference	↑ mm	↔ mm	↔ mm	↔ mm	kg/piece	📦	Stock	Unit
-	OVGAN	-				0.010	1		piece

OVGTAP

Carpet border for flush floor trunking



Color	Black RAL 9011
Standard finish	Polyvinyl chloride

HD	Reference	↑ mm	↔ mm	↔ mm	↔ mm	kg/m	⊞	Stock	Unit
-	OVGTAP3	-			2400	0.090	24		m
-	OVGTAP4	-			2400	0.084	24		m

OVGTAP3 for OVG250.3 and OVG350.3.
OVGTAP4 for OVG450.4.

OVGHV

Connection angle for flush trunking



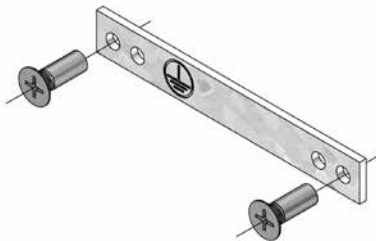
Color	Black RAL 9011
Standard finish	Polypropylene

HD	Reference	↑ mm	↔ mm	↔ mm	↔ mm	kg/piece	⊞	Stock	Unit
-	OVGHV	-			-	0.010	1		piece

6

OVGEQ

Earth conductor clamp for flush trunking



Standard finish	Pre-galvanised
-----------------	----------------

HD	Reference	↑ mm	↔ mm	↔ mm	↔ mm	kg/piece	⊞	Stock	Unit
-	OVGEQ	-			-	0.020	1		piece

OVGEQH

Earth conductor clamp for flush trunking



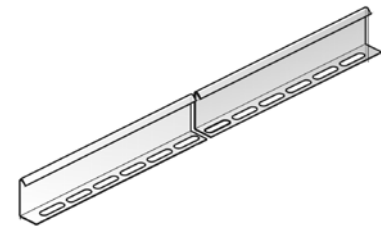
Standard finish

Pre-galvanised

HD	Reference	↑ mm	↔ mm	↔ mm	↔ mm	kg/piece	⊞	Stock	Unit
-	OVGEQH	-				0.020	1		piece

SLOS

Division plate free



Standard finish

Pre-galvanised

HD	Reference	↑ mm	↔ mm	↔ mm	↔ mm	kg/m	⊞	Stock	Unit
-	SLOS35	35			3000	0.330	150	✓	m
HD	SLOS60	60			3000	0.511	120	✓	m
HD	SLOS85	85			3000	0.680	60	✓	m
HD	SLOS110	110			3000	0.820	30	✓	m

KDVKK2

Hinged cover rectangular, universal



Build-in frame + hinged cover + cable outlet unit

Color	grey RAL 7011 / Black RAL 9011
Max. load	1500 N (small surface area)
Max. load	2000 N (large surface area)
Active condition	IP 20
Non-active condition	IP 30
Depth of floor covering	Max. 12 mm
Thickness steel plate	3 mm
Standard finish	Polypropylene

HD	Reference	mm	mm	mm	mm	kg/piece		Stock	Unit
-	KDVKK2.5-7011	-	192		267	1.650	6	✓	piece
-	KDVKK2.5-9011	-	192		267	1.650	6	✓	piece
-	KDVKK2.8-7011	-	192		267	1.525	6		piece
-	KDVKK2.8-9011	-	192		267	1.525	6		piece

Tested to EN 50085-2-2.

Hinged cover for 2 compartments.

Depth of floor covering can be reduced by fitting packers OHEV2.2 and/or OHEV2.5.

- KDVKK2.5: Standard 5 mm
- KDVKK2.8: Standard 8 mm

Can be fixed through included universal clamps in screed floor or in raised floor panels.

- Cut-outs in the floor panels 270x195 mm
- Clamp range between 30 and 50 mm

Hinged cover is provided with 1 cable outlet with integrated push lever and cable organiser.
Hinged cover must not be earthed.

For use in dry floors only.

KDVKK3

Hinged cover square, universal



Build-in frame + hinged cover + cable outlet unit

Color	grey RAL 7011 / Black RAL 9011
Max. load	1500 N (small surface area)
Max. load	2000 N (large surface area)
Active condition	IP 20
Non-active condition	IP 30
Depth of floor covering	Max. 12 mm
Thickness steel plate	3 mm
Standard finish	Polypropylene

HD	Reference	↑ mm	↔ mm	↔ mm	↔ mm	kg/piece	📦	Stock	Unit
-	KDVKK3.5-7011	-	267		267	2.200	6	✓	piece
-	KDVKK3.5-9011	-	267		267	2.200	6	✓	piece
-	KDVKK3.8-7011	-	267		267	2.050	6		piece
-	KDVKK3.8-9011	-	267		267	2.050	6		piece

Tested to EN 50085-2-2.

Hinged cover for 3 compartments.

Depth of floor covering can be reduced by fitting packers OHEV3.2 and/or OHEV3.5.

- KDVKK3.5: Standard 5 mm
- KDVKK3.8: Standard 8 mm

Can be fixed through included universal clamps in screed floor or in raised floor panels.

- Cut-outs in the floor panels 270x270 mm
- Clamping range 30 to 50 mm

Hinged cover is provided with 2 cable outlets with integrated push lever and cable organiser.
Hinged cover must not be earthed.

For use in dry floors only.

KDRKK3

Hinged cover round, universal



Build-in frame + hinged cover + cable outlet unit

Color	grey RAL 7011 / Black RAL 9011
Max. load	1500 N (small surface area)
Max. load	2000 N (large surface area)
Active condition	IP 20
Non-active condition	IP 30
Depth of floor covering	Max. 12 mm
Thickness steel plate	3 mm
Standard finish	Polypropylene

HD	Reference	mm	mm	mm	mm	kg/piece	Stock	Unit
-	KDRKK3.5-7011	-	327		327	2.450	6 ✓	piece
-	KDRKK3.5-9011	-	327		327	2.450	6 ✓	piece
-	KDRKK3.8-7011	-	327		327	2.250	6	piece
-	KDRKK3.8-9011	-	327		327	2.250	6	piece

Tested to EN 50085-2-2.

Hinged cover for 3 compartments.

Depth of floor covering can be reduced by fitting packers OHER3.2 and/or OHER3.5.

- KDRKK3.5: Standard 5 mm
- KDRKK3.8: Standard 8 mm

Can be fixed through included universal clamps in screed floor or in raised floor panels.

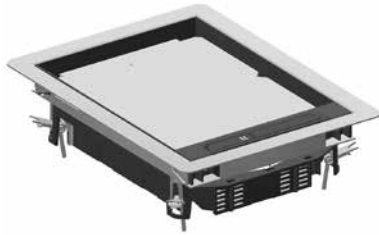
- Cut-outs in the floor panels diameter 330 mm
- Clamp range between 30 and 50 mm

Hinged cover is provided with 2 cable outlets with integrated push lever and cable organiser.
Hinged cover must not be earthed.

For use in dry floors only.

KDVIRK2

Hinged cover rectangular, with border



Build-in frame with border + tileframe + cable outlet

Max. load	2000 N (small surface area)
Max. load	3000 N (large surface area)
Active condition	IP 20
Non-active condition	IP 30
Depth of floor covering	Max. 26 mm
Standard finish	Stainless Steel 304

HD	Reference	↑ mm	↔ mm	↔ mm	↔ mm	kg/piece	📦	Stock	Unit
-	KDVIRK2	-	192		267	2.125	1	✓	piece

Tested to EN 50085-2-2.

Hinged cover for 2 compartments.

Depth of floor covering can be reduced by fitting packers OHEV2.2 and/or OHEV2.5

Can be fixed through included universal clamps in screed floor or in raised floor panels.

- Cut-outs in the floor panels 270x195 mm
- clamp range between 30 and 50 mm

Hinged cover is provided with 2 cable outlets with integrated push lever and cable organiser.
Hinged cover is provided with an earthing strip between cover and frame.

For use in dry floors only.

KDVIRK3

Hinged cover square, with border



Build-in frame with border + tileframe + cable outlet

Max. load	2000 N (small surface area)
Max. load	3000 N (large surface area)
Active condition	IP 20
Non-active condition	IP 30
Depth of floor covering	Max. 26 mm
Standard finish	Stainless Steel 304

HD	Reference	↑ mm	↔ mm	↔ mm	↔ mm	kg/piece	📦	Stock	Unit
-	KDVIRK3	-	267		267	2.675	1	✓	piece

Tested to EN 50085-2-2.

Hinged cover for 3 compartments.

Depth of floor covering can be reduced by fitting packers OHEV3.2 and/or OHEV3.5

Can be fixed through included universal clamps in screed floor or in raised floor panels.

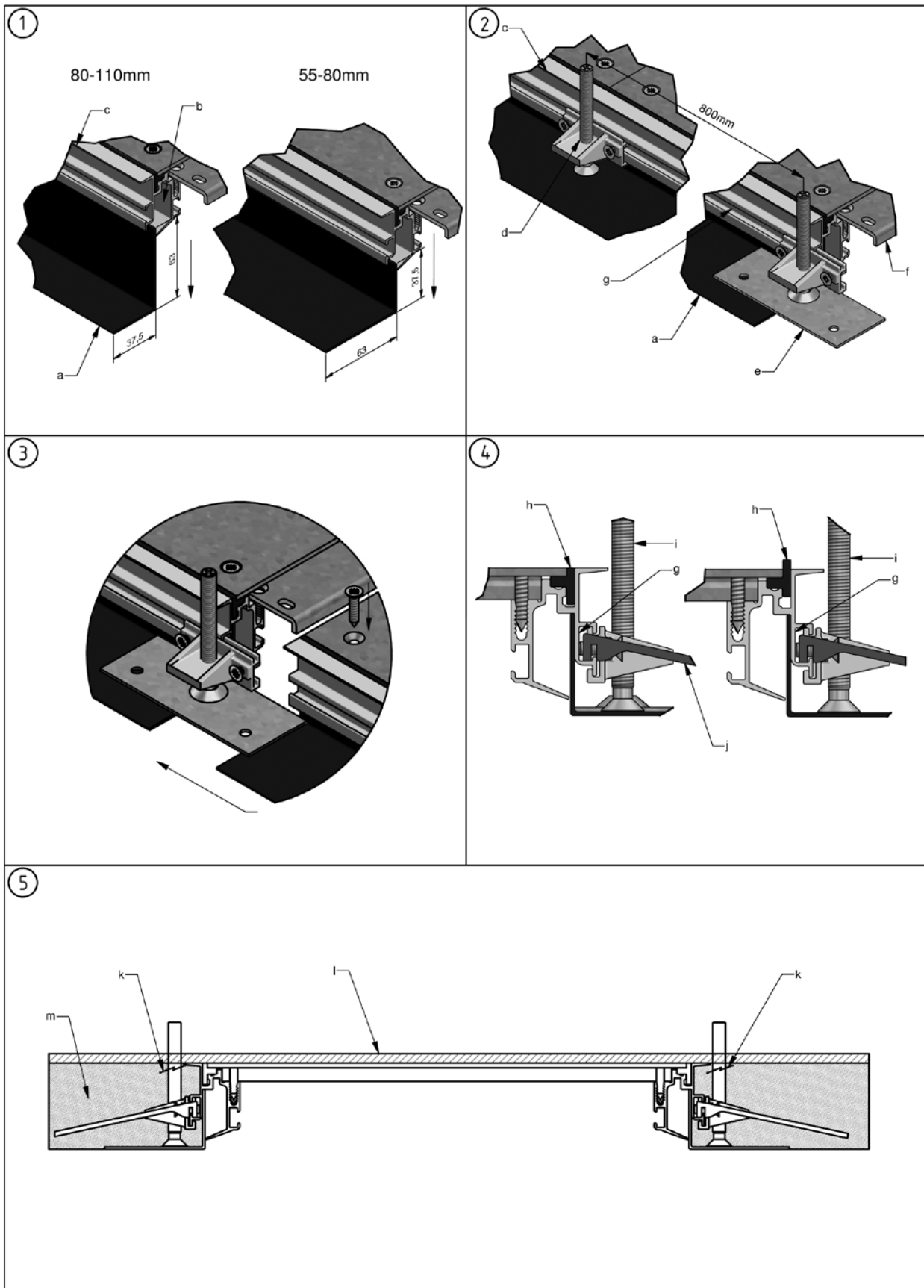
- Cut-outs in the floor panels 270x270 mm
- Clamp range between 30 and 50 mm

Hinged cover is provided with 2 cable outlets with integrated push lever and cable organiser.
Hinged cover is provided with an earthing strip between cover and frame.

For use in dry floors only.

OVG

Mounting principle



OVG**Assembly**

Each flush floor trunking comes standard with the following products.

- 2 Extrusion profile (OVGPR)
- 2 Universal sides (OVGZ)
- 3 Cross bars (OVGTR)
- 2 Carpet borders (OVGTAP)*

- 3 Sealed covers (DOVG)
- 6 Levelling pieces
- 12 Taperedhead metal screws (ST4.8x23)
- 6 Screed anchor (OVGAN)
- 12 Tapered head bolts (B5.16)
- 6 Levelling screws
- 2 Baseplates

* Gauge of OVGTAP depends on the gauge of the cover.

Mounting

- 1) Slip the OVGZ (a) into the chamber (b) of the OVGPR (c). A levelling range of 55-80 mm is obtained by placing the OVGZ with its longest side on the ground. A levelling range of 80-110 mm is obtained by placing the OVGZ with its shortest side on the ground.
- 2) Mount 3 OGVSTs (d) per OVGPR (c). The 2 OGVST provided with a baseplate (e) are mounted at the end where an OVGTR (f) has been placed. These 2 OGVST must be positioned so that they overlap the duct with half of their length. The preassembled baseplates (e) must abut against the OVGZ (a). Mount the other OGVST at intervals of 800 mm. Extra OGVSTs can be easily added by hooking them into the slot provided (g) in the OVGPR.
- 3) The 2 OGVST which overlap the duct, will be used for coupling with the abutting length.
- 4) Determine how you will use the OVGTAP 3 (h): flush mounted or not. Turn levelling screws (i) to the right for levelling up. Turn levelling screws (i) to the left for levelling down. Hook the OVGAN (j) into the slot (g) in the OVGPR. Make sure to seal up any openings with adhesive tape.
- 5) The system can now be filled with screed (m) and subsequently finished with carpet (l).

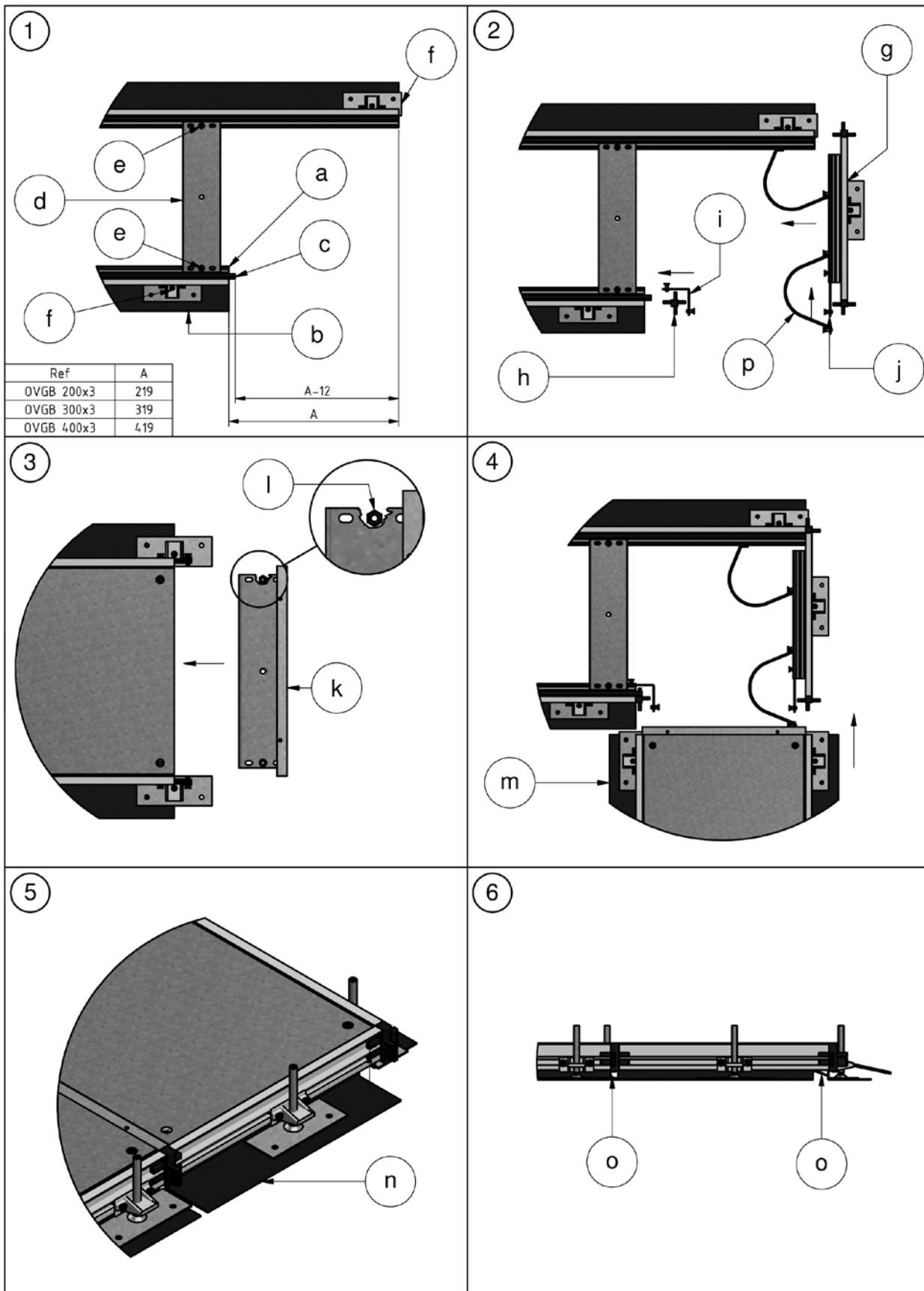
Remark

! To obtain a levelling height of less than 80 mm, shorten the levelling screws to below the top of the aluminium section (k) before pouring the screed (m).

! Note: when laying or removing cables we advise you not to remove the traverses between the aluminium sections.

OVGB

Mounting principle



OVGB**Assembly**

Each bend for flush floor trunking comes standard with the following products.

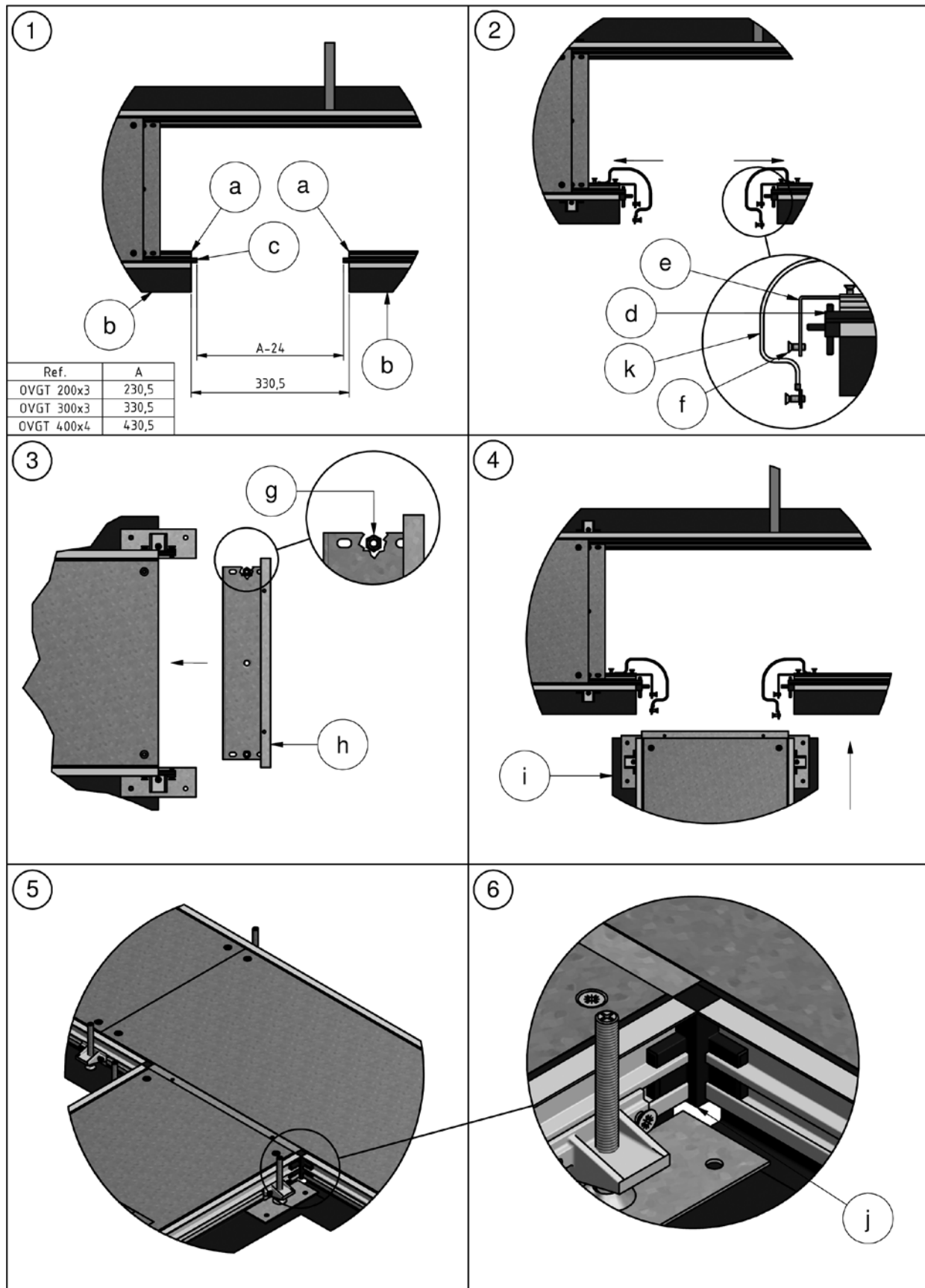
- 1 connection angle (OVGHV)
- 1 end part (OVGE)
- 1 crossbar
- 1 earth conductors (OVGEQ - OVGEQH)

Mounting

1. Remove the length stated in the table from the aluminium profile (a) and the side section (b). Remove a section from the carpet surround that is 12 mm shorter. Move the traverse section (d) of the end section so that it is positioned between the two profiles and fasten with the two screws (e). Reposition the feet (f) as shown in the drawing.
2. Position the earthing strap under corner (i) along with the plastic corner connector (h) in the aluminium profiles of the section which you want to branch off from. Fasten the right earthing clamp (j) the plastic corner connector (h) and the 2 earthing cables (p) in the aluminium profile of the end section. Scovere the end section (g) onto the section you want branch off from and connect 1 earthing cable.
3. Locate the traverse for the supports (k) under the cover of the section from which you are branching off. In order to hold the traverse section at the right level the M6 bolts supplied (l) must be positioned under the most central opening along both sides of the traverse section. Attach the top to the traverse section making use of the most central opening.
4. Scovere the section you want to branch off from (m) on to the plastic corner connectors that you have attached to the section from which you want to branch off.
5. Cut to size a surplus section of the side (n) so this can be slid into the end section in order to close it off. Line everything up.
6. Seal off all openings (for example o) with adhesive tape.

OVGT

Mounting principle



OVGT**Assembly**

Each T-piece for flush floor trunking comes standard with the following products.

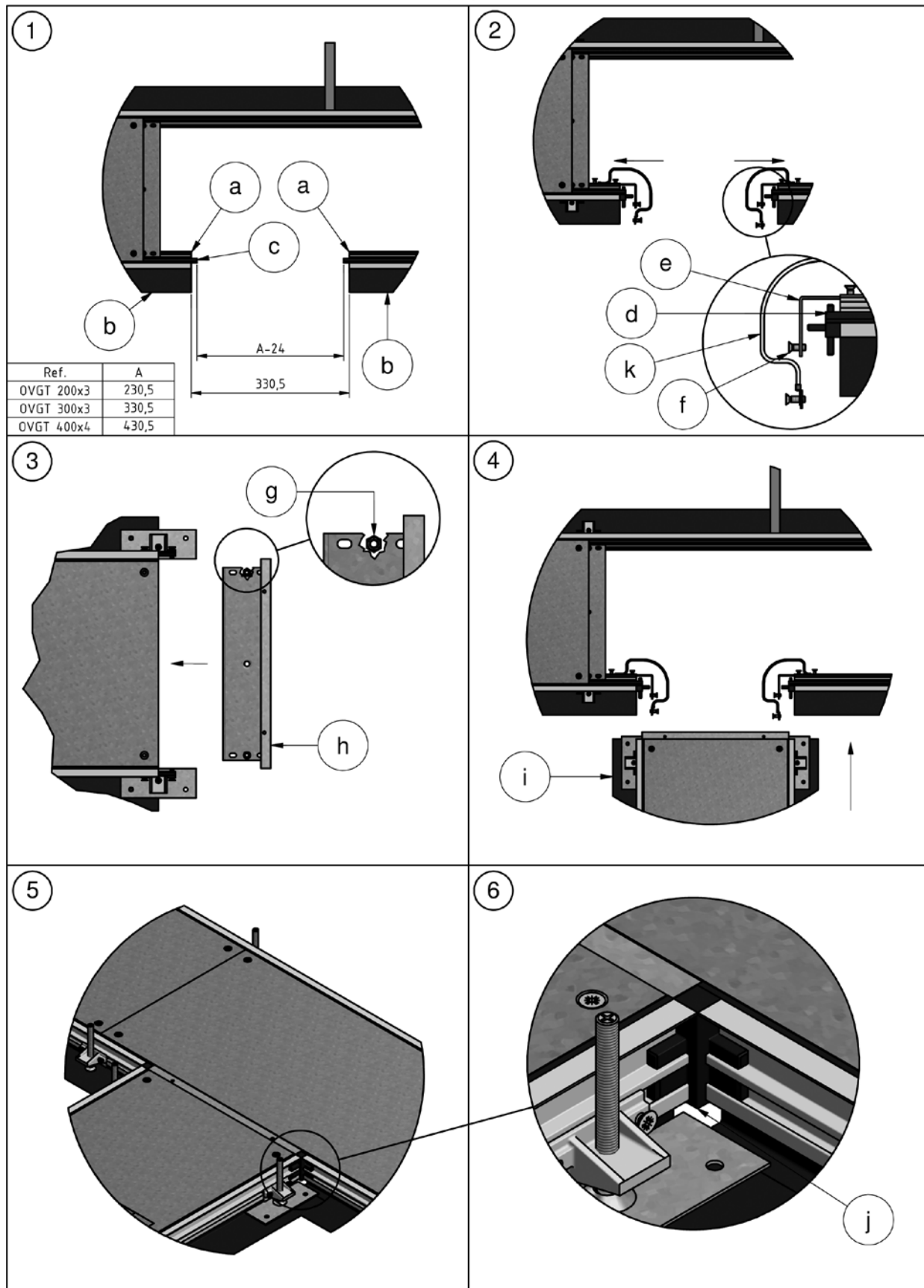
- 2 connection angles (OVGHV)
- 1 crossbar
- 2 earth conductor clamps (OVGEQH)
- 2 earthing straps

Mounting

1. Remove the length stated in the table from the aluminium profile (a) and the side section (b). Remove a section that is 24mm shorter from the carpet surround (c) so that the edges extend on both sides of the aluminium profile by 12mm.
2. Locate both earthing straps under corner (e) along with the 2 plastic corner connectors (d) and the 2 earthing cables (k) in the aluminium profiles of the section from which you want to branch off. Fix in position the earth straps (e) and the 2 earthing cables (k) using the M5 screws provided (f).
3. Position the traverse section (h) for the supports under the cover of the sections you want to branch off from. In order to hold the traverse section in the right position you must locate the M6 bolts provided at both sides in the most central hole of the traverse section. Attach the top to the traverse section making use of the most central opening of the traverse section.
4. Scovere the section which you want to branch off from (i) onto the plastic corner connectors and the earthing straps which you have attached to the section you want to branch off to. Connect the 2 earthing cables (k).
5. Align all components until everything is in line.
6. Close up all openings (for example j) with adhesive tape.

OVGK

Mounting principle



OVGK**Assembly**

Each cross piece for flush floor trunking comes standard with the following products.

- 4 connection angles (OVGHV)
- 2 crossbars
- 4 earth conductor clamps (OVGEQH)
- 4 earthing straps

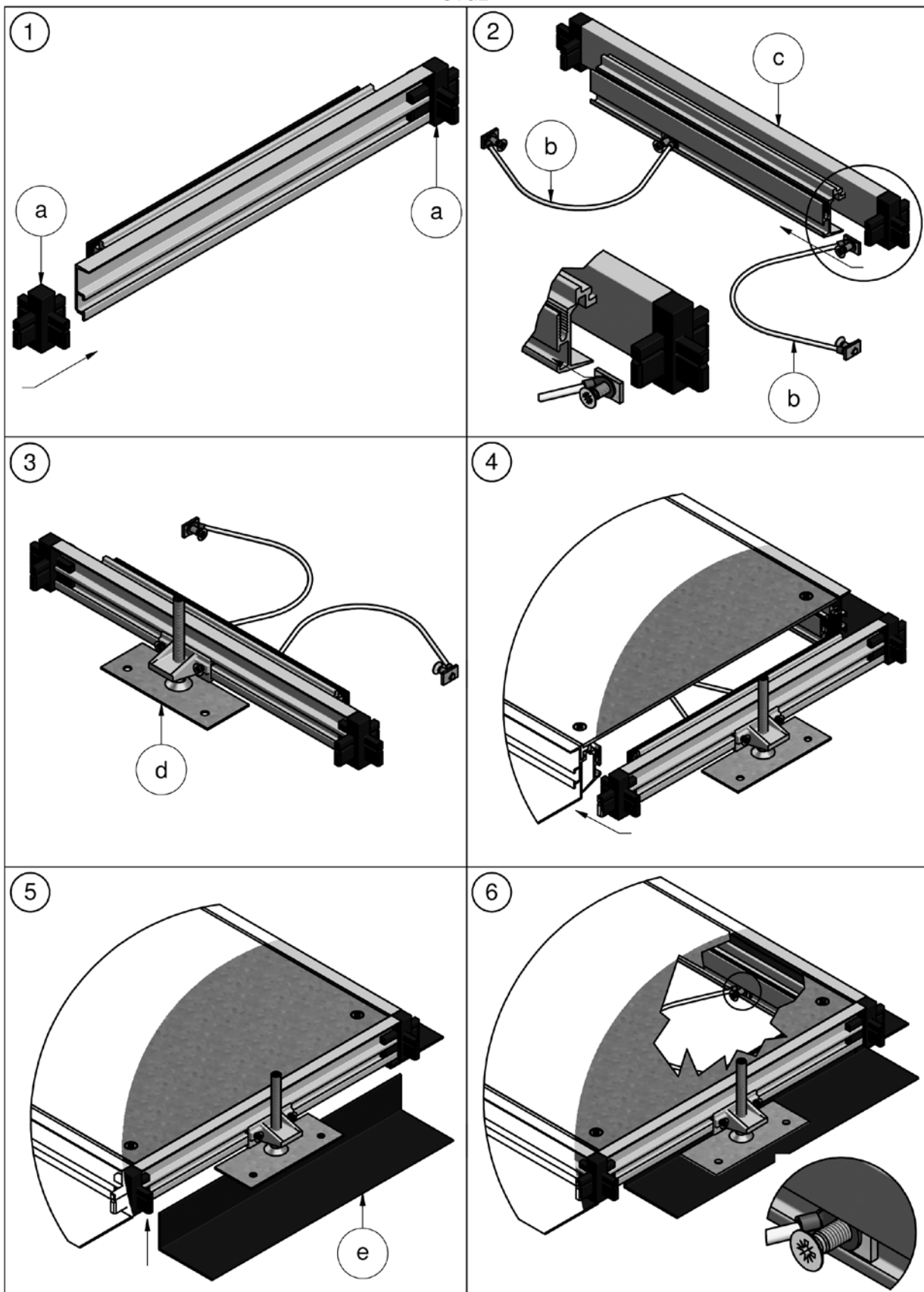
Mounting

Please execute below mounting principle at both sides of the OVG.

1. Remove the length stated in the table from the aluminium profile (a) and the side section (b). Remove a section that is 24mm shorter from the carpet surround (c) so that the edges extend on both sides of the aluminium profile by 12mm.
2. Locate both earthing straps under corner (e) along with the 2 plastic corner connectors (d) and the 2 earthing cables (k) in the aluminium profiles of the section from which you want to branch off. Fix in position the earth straps (e) and the 2 earthing cables (k) using the M5 screws provided (f).
3. Position the traverse section (h) for the supports under the cover of the sections you want to branch off from. In order to hold the traverse section in the right position you must locate the M6 bolts provided at both sides in the most central hole of the traverse section. Attach the top to the traverse section making use of the most central opening of the traverse section.
4. Scovere the section which you want to branch off from (i) onto the plastic corner connectors and the earthing straps which you have attached to the section you want to branch off to. Fix the earthing cables (k).
5. Follow steps 1-4 for the other side of the OVG where you want to branch off.
6. Align all components until everything is in line.
7. Close up all openings (for example j) with adhesive tape.

OVGE

Mounting principle



OVGE**Assembly**

Each end part for flush floor trunking comes standard with the following products.

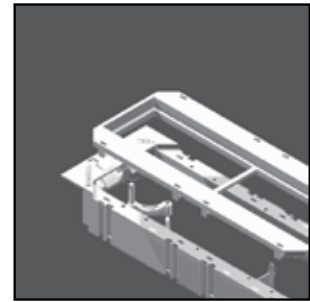
- 2 connection angles (OVGHV)
- 1 end part
- 1 bottom (OVGVST)
- 2 earthing straps

Mounting

1. Locate the 2 corner connectors OVGHV (a) in the ends of the profile that is provided with the end section.
2. Attach one end of the earthing straps supplied (b) in the slot provided on the inside of the profile (c).
3. Mount a foot (d) in the middle of the profile of the end section.
4. Scovere the end section into the length of the OVG which you want to close off.
5. Cut a side section (e) to size and attach this under the end section as this is done for the section runs.
6. Attach the other end of the earthing straps into the aluminium profiles of the section you want to close off.

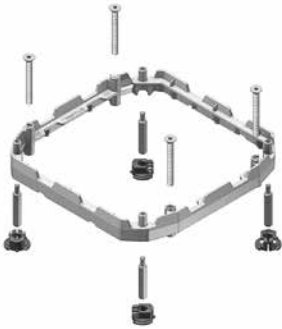
FLOOR INSTALLATIONS

Accessories



NEOT

Supporting Alu-frame



Universally supporting frame

Standard finish

Aluminium

HD	Reference	↑ mm	↔ mm	↔ mm	↔ mm	kg/piece	⊞	Stock	Unit
-	NEOT2	-				0.750	1		piece
-	NEOT3	-				0.750	1		piece

Integrated in covers KDVIT, KDVITV3, DVITWD, BDVITWD, KDVITWD, BDRITWD and DRITWD.

Set contains:

- Aluminium frame
- 4 extension nuts AM6.48
- 4 anchorfeet
- 4 long bolts M 8x70
- 4 short bolts M 8x45

Higher leveling range can be achieved per added set of 4 nuts AM6.48.

- 1 set = 92 - 145 mm.
- 2 sets = 140 - 193 mm.
- 3 sets = 188 - 241 mm.
- 4 sets = 236 - 289 mm.

NEOAVT

Anchor base NEO



Standard finish

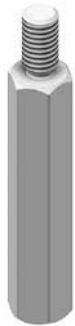
Polypropylene

HD	Reference	↑ mm	↔ mm	↔ mm	↔ mm	kg/piece	⊞	Stock	Unit
-	NEOAVT	-				0.027	12		piece

To be ordered per 12 pieces.

AM

Extension Nut



Standard finish

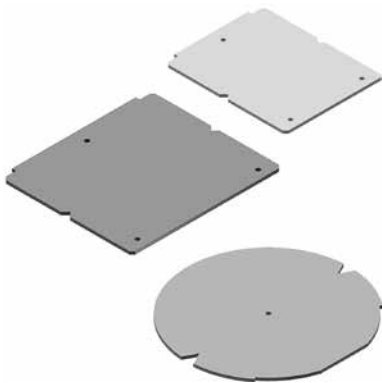
Electro zinc-plated

HD	Reference	↑ mm	↔ mm	↔ mm	↔ mm	kg/piece	📦	Stock	Unit
-	AM6.48	48			-	0.034	1	✓	piece
-	AM6.96	96			-	0.067	1	✓	piece

Can be added to the aluminium frame.
To be ordered in multiples of 4.

OHE

Packer floorcover



Standard finish

Cardboard

HD	Reference	↑ mm	↔ mm	↔ mm	↔ mm	kg/piece	📦	Stock	Unit
-	OHEV2.2	-			-	0.045	1		piece
-	OHEV2.5	-			-	0.200	1		piece
-	OHEV3.2	-			-	0.060	1		piece
-	OHEV3.5	-			-	0.250	1		piece
-	OHER3.2	-			-	0.060	1		piece
-	OHER3.5	-			-	0.250	1		piece
-	OHEVB2.2	-			-	0.070	1		piece
-	OHEVB2.5	-			-	0.174	1		piece
-	OHEVB3.2	-			-	0.098	1		piece
-	OHEVB3.5	-			-	0.244	1		piece

Packers can be added to level the floor finish in the covers.

For 3 compartment square covers:

- OHEV3.2 and OHEV3.5

For 2 compartment rectangular covers:

- OHEV2.2 and OHEV2.5

For 3 compartment round covers:

- OHER3.2 and OHER3.5

For blind cover square:

- OHEVB3.2 and OHEVB3.5

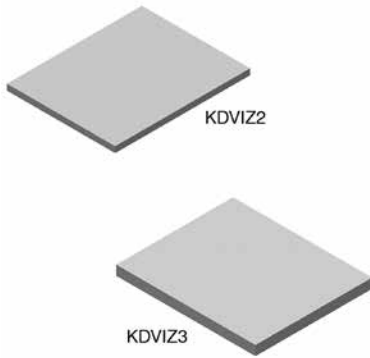
For blind cover rectangular:

- OHEVB2.2 and OHEVB2.5

Only for spaces with dry floor treatment.

KDVIZ

Kit for heavy load



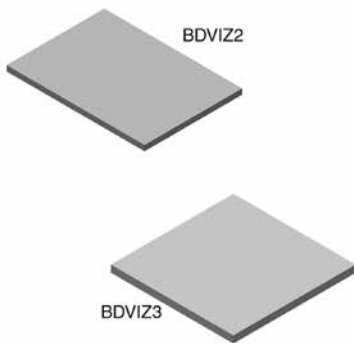
Max. load **1,5 tons**
 Standard finish **Polyvinyl chloride**

HD	Reference	↑ mm	↔ mm	↔ mm	↔ mm	kg/piece	📦	Stock	Unit
-	KDVIZ2	-	182	10.00	227	0.537	1	✓	piece
-	KDVIZ3	-	227	15.00	257	1.138	1	✓	piece

Tested according EN 50085-2-2.
 - KDVIZ2 for KDVIT2 and KDVIRK2.
 - KDVIZ3 for KDVIT3 and KDVIRK3.

BDVIZ

Kit for heavy load



Max. load **1,5 tons**
 Standard finish **Polyvinyl chloride**

HD	Reference	↑ mm	↔ mm	↔ mm	↔ mm	kg/piece	📦	Stock	Unit
-	BDVIZ2	-	182	10.00	257	0.608	1	✓	piece
-	BDVIZ3	-	263	20.00	263	1.798	1	✓	piece

Tested according EN 50085-2-2.
 - BDVIZ2 for BDVITWD2.
 - BDVIZ3 for BDVITWD3.

TSBU

Apparatus cup universal



Clippable system.

Color Black RAL 9011

Standard finish Polypropylene

HD	Reference	↑ mm	↔ mm	↔ mm	↔ mm	kg/piece	📦	Stock	Unit
-	TSBU	-				0.090	12	✓	piece

Tested to EN 50085-2-2.

Can be clipped and fixed in the cover frame at different heights.

Set containing:
- 2 screw-in cable restrainers

A bottom cover plate type ADPUB and cover plates ADPU, according to desired connections, can be added.

2 x 71mm module application is possible with 2 x APDU1.50.50. For use of 3 x 71mm module, please contact Vergokan.

Break away the extreme corners for mounting.

TSBU45

Apparatus cup 45



Clippable system.

Color Black RAL 9011

Standard finish Polypropylene

HD	Reference	↑ mm	↔ mm	↔ mm	↔ mm	kg/piece	📦	Stock	Unit
-	TSBU4.45.45	-				0.110	12	✓	piece

Tested to EN 50085-2-2.

For 4 clip devices type 45x45.

Can be clipped and fixed in the cover frame at different heights.

Set containing:
- Base cup
- Cover plate ADPU4.45.45
- 2 screw-in cable restrainers
- Divider SSBU

A bottom cover plate, type ADPUB, can be added.

Break away the extreme corners for mounting.

TSBU50

Apparatus cup 50



Clippable system.

Color **Black RAL 9011**

Standard finish **Polypropylene**

HD	Reference	↑ mm	↔ mm	↔ mm	↔ mm	kg/piece	📦	Stock	Unit
-	TSBU3.50.50	-				0.100	12	✓	piece

Tested to EN 50085-2-2.

For 3 clip devices type 50x50.

2 x 71mm module application is possible with 2 x APDU1.50.50. For use of 3 x 71mm module, please contact Vergokan

Can be clipped and fixed in the cover frame at different heights.

Set containing:

- Base cup
- Cover plate ADPU3.50.50
- 2 screw-in cable restrainers

A bottom cover plate, type ADPUB, can be added.

Break away the extreme corners for mounting.

TSBUD

Apparatus cup angular



Clippable system.

Color **Black RAL 9011**

Standard finish **Polypropylene**

HD	Reference	↑ mm	↔ mm	↔ mm	↔ mm	kg/piece	📦	Stock	Unit
-	TSBUD3.36ANGLE	-				0.120	12	✓	piece

Tested to EN 50085-2-2.

Can be clipped and fixed in the cover frame at different heights.

Set containing:

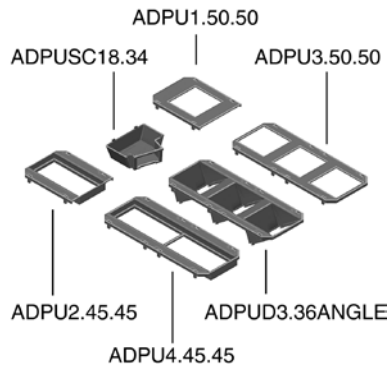
- Base cup
- Cover plate ADPUD3.36ANGLE

A bottom cover plate type ADPUB and 3 dataplates type IDP, can be added.

Break away the extreme corners for mounting.

ADPU

Coverplate for TSBU



Color	Black RAL 9011
Standard finish	Polycarbonate

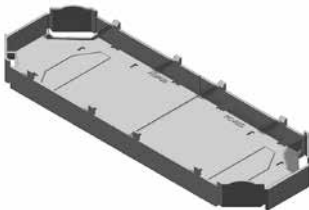
HD	Reference	↑ mm	↔ mm	↗ mm	↘ mm	kg/piece	📦	Stock	Unit
-	ADPU1.50.50	-				0.010	12	✓	piece
-	ADPU2.45.45	-				0.010	12	✓	piece
-	ADPU3.50.50	-				0.010	12	✓	piece
-	ADPU4.45.45	-				0.020	12	✓	piece
-	ADPUD3.36ANGLE	-				0.010	12	✓	piece
-	ADPUSC18.34	-				0.012	12	✓	piece

To order per 12 pieces.
Tested to EN 50085-2-2.

- ADPU1.50.50 for 1 screw-in module 50x50.
- ADPU3.50.50: For use of 3 x 71mm module, please contact Vergokan.
- ADPU2.45.45 for 2 clip devices type 45x45.
- ADPU4.45.45 for 4 clip devices type 45x45.
- ADPUSC18.34 for quick connection. clippable to bottom cover plate ADPUB.
- ADPU1.50.50 and ADPU3.50.50: unused positions can be filled with blind caps, type ADSU50.50.
- ADPU2.45.45 and ADPU4.45.45: unused positions can be filled with blind caps, type ADSU45.45.

ADPUB

Baseplate for TSBU



To seal the open side of TSBU in high-voltage applications.

Color	Black RAL 9011
Standard finish	Polypropylene

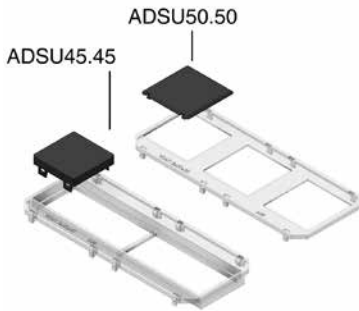
HD	Reference	↑ mm	↔ mm	↗ mm	↘ mm	kg/piece	📦	Stock	Unit
-	ADPUB	-				0.035	24	✓	piece

Tested to EN 50085-2-2.

- Provided with:
- Snap-off corners for cable exit.
 - A removable section for use with quick connector (in combination with ADPUSC18.34).
- Scored for easy separation.

ADSU

Cap



Color Black RAL 9011

Standard finish Polypropylene

HD	Reference	↑ mm	↔ mm	↔ mm	↔ mm	kg/piece	⊞	Stock	Unit
-	ADSU45.45	-	45		45	0.010	12	✓	piece
-	ADSU50.50	-	50		50	0.010	12	✓	piece

To order per 12 pieces.
Tested to EN 50085-2-2.

- ADSU45.45: for covering unused positions in ADPU2.45.45, ADPU4.45.45, TSBL3 et TSBL2.
- ADSU50.50: for covering unused positions in ADPU1.50.50 and ADPU3.50.50.
- Simple mounting and removing or re-positioning of new modules.
- Efficient protection of spare plates.

SSBU

Divider plate TSBU



Color Black RAL 9011

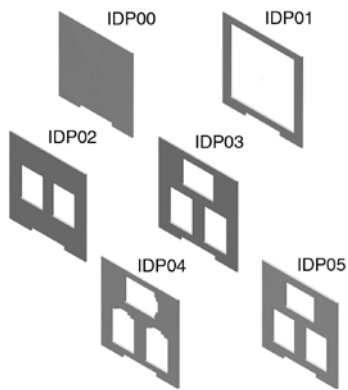
Standard finish Polypropylene

HD	Reference	↑ mm	↔ mm	↔ mm	↔ mm	kg/piece	⊞	Stock	Unit
-	SSBU	-				0.010	12	✓	piece

Tested to EN 50085-2-2.

IDP

Fixing plate ADPUD



Color	Black RAL 9011
Standard finish	Electro zinc-plated

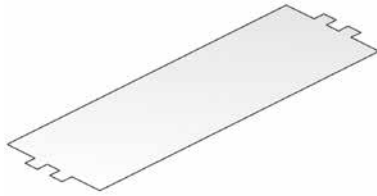
HD	Reference	↑ mm	↔ mm	↔ mm	↔ mm	kg/piece	📦	Stock	Unit
-	IDP00	-				0.020	6	✓	piece
-	IDP01	-				0.020	6	✓	piece
-	IDP02	-				0.020	6	✓	piece
-	IDP03	-				0.020	6	✓	piece
-	IDP04	-				0.020	6	✓	piece
-	IDP05	-				0.020	6	✓	piece

To order per 6 pieces.
Tested to EN 50085-2-2.

- IDP00: Blind plate
- IDP01: for 45 x 45 mm
- IDP02: for 2x 14,8 x 19,4 mm
- IDP03: for 3x 14,7 x 20,1 mm
- IDP04: for 3x RJ45
- IDP05: for 3x 14,6 x 19,3 mm

GBP

Blind plate



Color grey RAL 7011

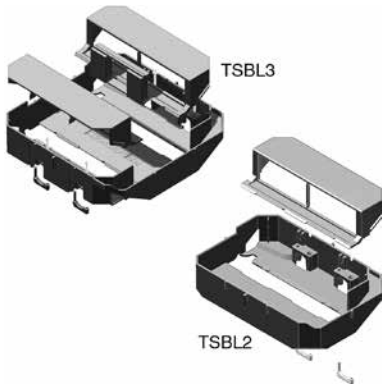
Standard finish Polypropylene

HD	Reference	↑ mm	↔ mm	↔ mm	↔ mm	kg/piece	📦	Stock	Unit
-	GBP	-				0.030	12	✓	piece

Tested according EN 50085-2-2.
To be ordered per 12 pieces.

TSBL

Low profile apparatus box



Completely clippable.

Color Black RAL 9011

Standard finish Polypropylene

HD	Reference	↑ mm	↔ mm	↔ mm	↔ mm	kg/piece	📦	Stock	Unit
-	TSBL2	-				0.210	6	✓	piece
-	TSBL3	-				0.275	3	✓	piece

The mounting principle for this product can be found at the end of this chapter.

Tested to EN 50085-2-2.

For oblique mounting of clip devices type 45.

TSBL2:

Up to 4 mounting positons.

Set contains base cup + 1 frame + 2 screw-in cable restrainers + adapter piece for angle arrangement.

TSBL3:

Up to 8 mounting positons.

Set contains base cup + 2 frames + 4 screw-in cable restrainers + adapter piece for angle arrangement.

MK

Silicon box



HD	Reference	↕ mm	↔ mm	↔ mm	↔ mm	kg/piece	📦	Stock	Unit
-	MK	-				0.520	1	✓	piece

OV

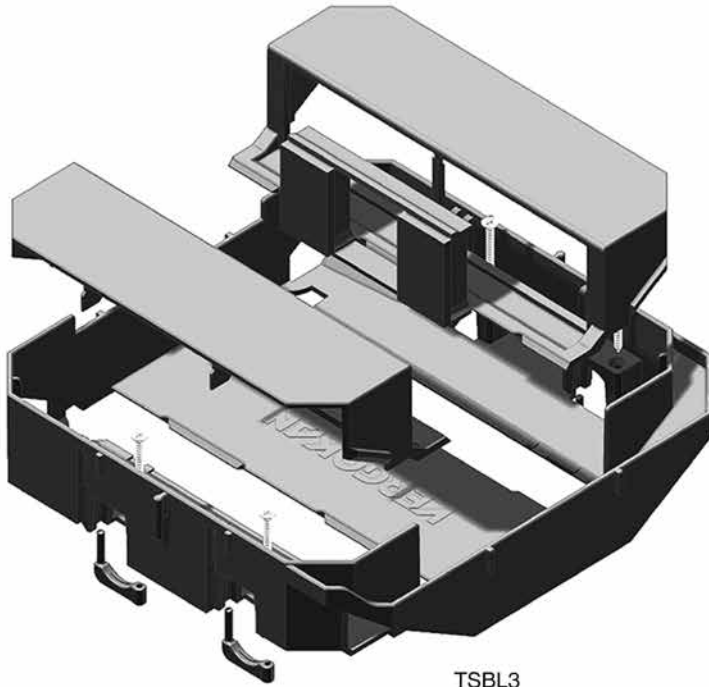
Degreaser



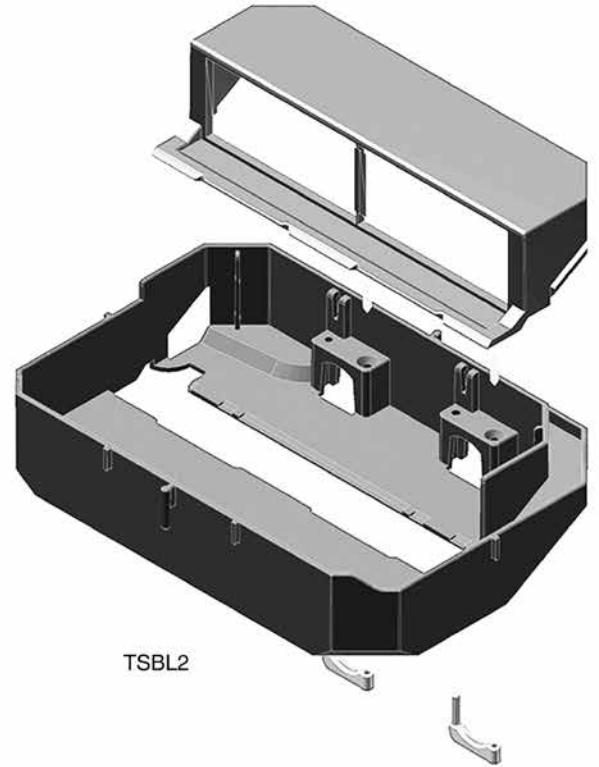
HD	Reference	↕ mm	↔ mm	↔ mm	↔ mm	kg/piece	📦	Stock	Unit
-	OV	-				0.400	1	✓	piece

TSBL

Mounting principle



TSBL3



TSBL2